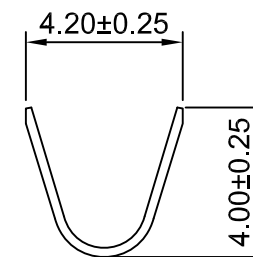
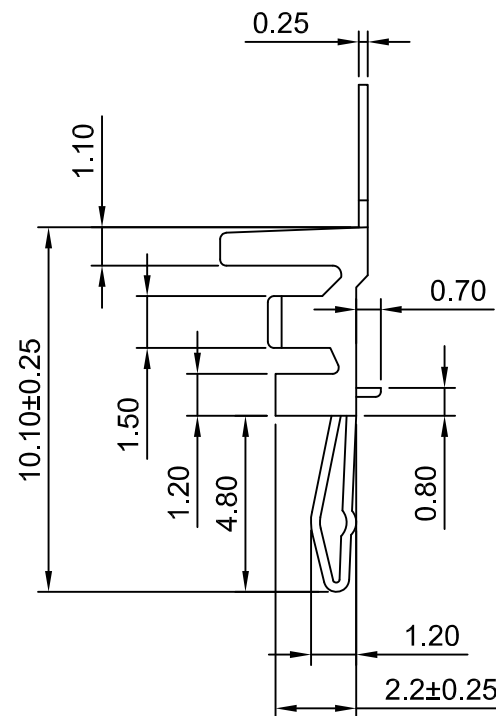
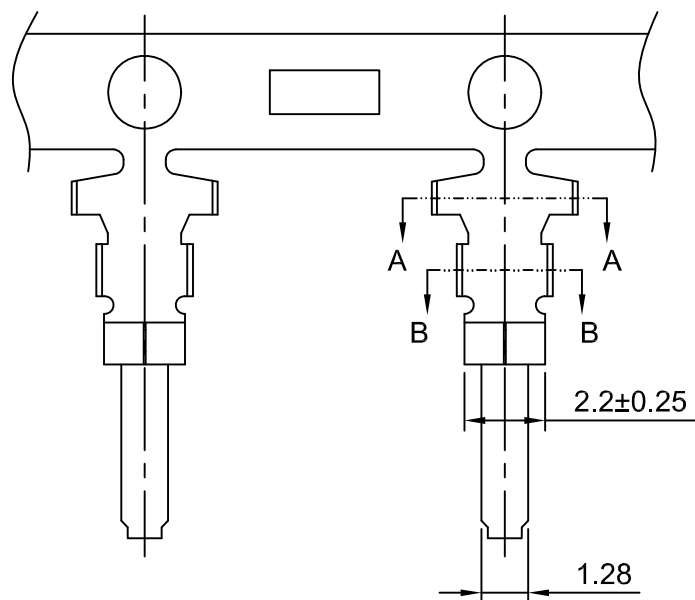
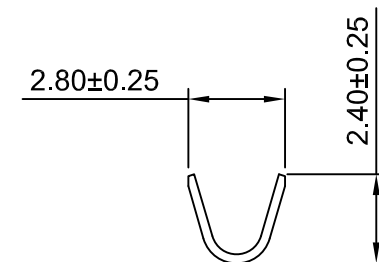


修订 REV	标记 MARK	修改摘要 REVISION DESCRIPTION	签名 SIGNATURE	日期 DATE
AO		NEW RELEASE	WANG	2012-12-10



SEC:A-A



SEC:B-B

Ordering information & Specifications

Unit:mm

Part No	Wire Range	Insultion O.D.	Material	Finish	Qty/reel
HDGC3971-TP	AWG#18-#22	3.00mm(max)	Phosphor Bronze	Tin-plated	5,000 PCS



深圳市华德共创科技有限公司

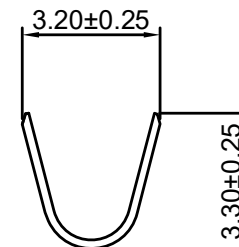
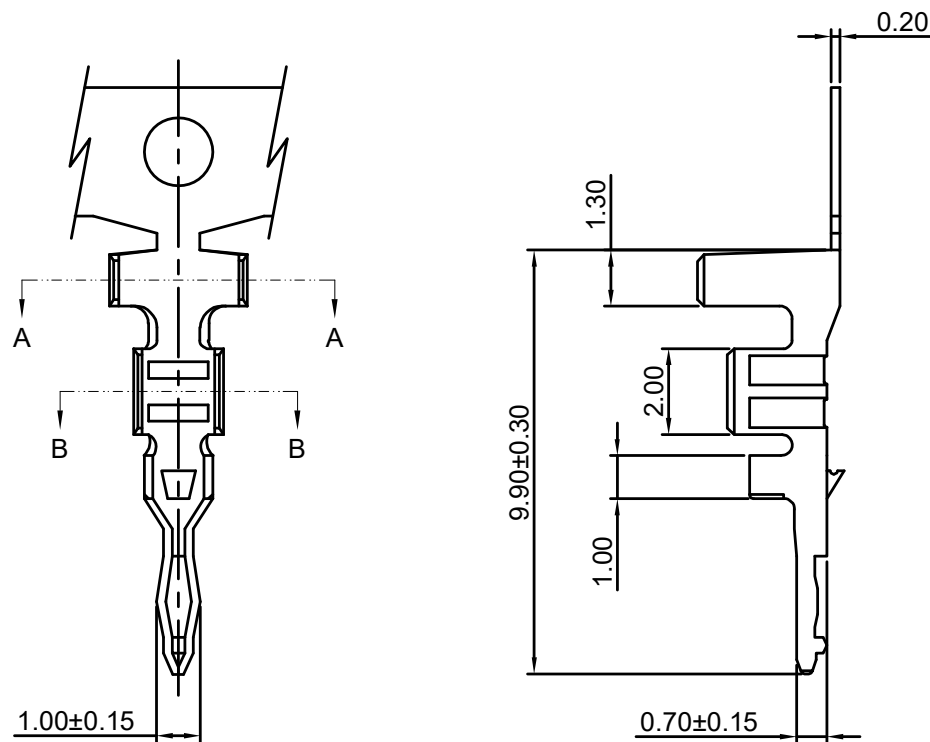
SHENZHEN HUADE CO-CREATE TECHNOLOGY CO.,LTD

TEL : 0755-27129737 FAX : 0755-29940187

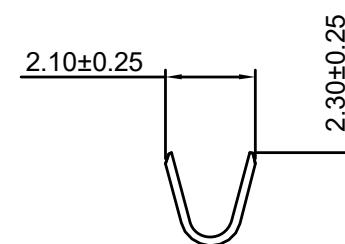
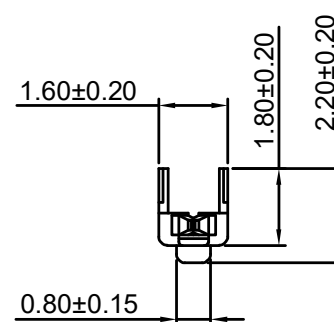
-TOLERANCES- UNLESS OTHERWISE SPECIFIED 公差参数表					TITLE: 3.96mm Pitch 产品名称: Crimp Terminal				
X.X	±0.30	X.X°	±3°	APPD: 核准:	XIE				
X.XX	±0.30	X.XX°	±2°	CHECK: 校对:	WANG	DATE	SCALE	UNIT	CODE NUMBER
X.XXX	±0.10	X.XXX°	±1°	DRAW: 绘图:	WANG	2012-12-10	5:1	mm	A008

PART NO: 产品编号: HDGC3971-T			
DATE	SCALE	UNIT	CODE NUMBER
2012-12-10	5:1	mm	A008

修订 REV	标记 MARK	修改摘要 REVISION DESCRIPTION	签名 SIGNATURE	日期 DATE
AO		NEW RELEASE	WANG	2014-04-30



SEC:A-A



SEC:B-B

Ordering information & Specifications

Unit:mm

Part No	Wire Range	Insultion O.D.	Material	Finish	Qty/reel
HDGC3971-TP-A	AWG#18-#22	3.00mm(max)	Phosphor Bronze	Tin-plated	5,000 PCS



深圳市华德共创科技有限公司

SHENZHEN HUADE CO-CREATE TECHNOLOGY CO.,LTD

TEL : 0755-27129737 FAX : 0755-29940187

-TOLERANCES- UNLESS OTHERWISE SPECIFIED 公差参数表						TITLE: 3.96mm Pitch 产品名称: Crimp Terminal			
X.X	±0.30	X.X°	±3°	APPD: 核准:	XIE	PART NO: 产品编号: HDGC3971-T-A			
X.XX	±0.30	X.XX°	±2°	CHECK: 校对:	WANG	DATE	SCALE	UNIT	CODE NUMBER
X.XXX	±0.10	X.XXX°	±1°	DRAW: 绘图:	WANG	2014-04-30	5:1	mm	A008

修订 REV	标记 MARK	修改摘要 REVISION DESCRIPTION	签名 SIGNATURE	日期 DATE
AO		NEW RELEASE	WANG	2014-04-30

Ordering Information:

HDGC3971H-XP - ***

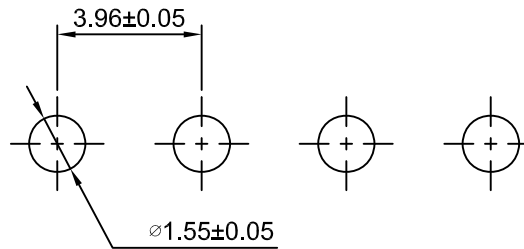
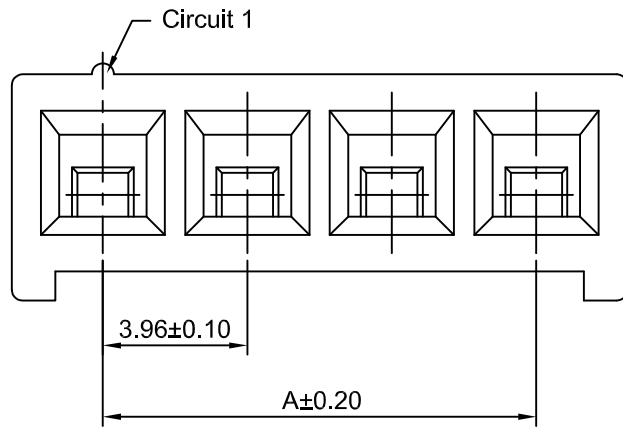
1 2

1.Part No.

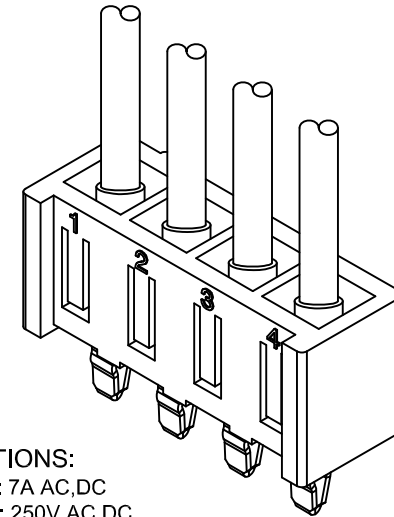
2.Material:

(blank): Nylon 66,UL94V-0

GWT: Nylon 66,UL94V-0,GWT 750°C



P.C.B LAYOUT



SPECIFICATIONS:

Current Rating: 7A AC,DC

Voltage Rating: 250V AC,DC

Temperature Range: -25°C~+85°C

Contact Resistance: 10mΩ Max.

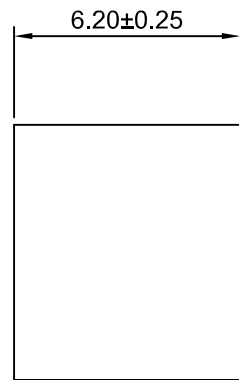
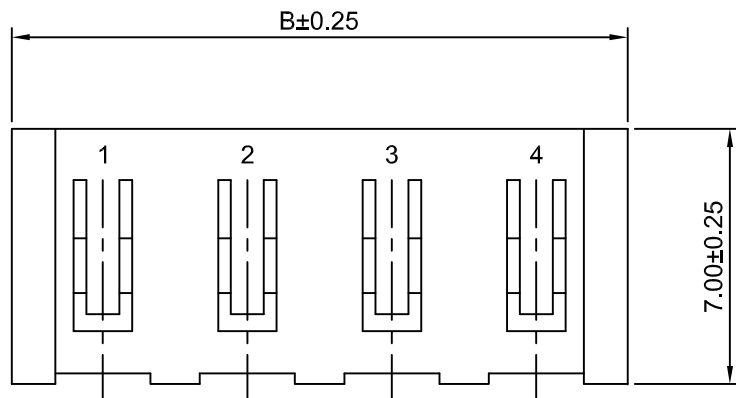
Insulation Resistance: 1000MΩ Min.

Withstanding Voltage: 1500V AC/minute

Material:Nylon 66,UL94V-0 (White)

Ordering Information & Dimensions

Circuits	Dimensions(mm)		Circuits	Dimensions(mm)	
	A	B		A	B
2P	3.96	8.96	9P	31.68	36.68
3P	7.92	12.92	10P	35.64	40.64
4P	11.88	16.88	11P	39.60	44.60
5P	15.84	20.84	12P	43.56	48.56
6P	19.80	24.80	13P	47.52	52.52
7P	23.76	28.76	14P	51.48	56.48
8P	27.72	32.72	15P	55.44	60.44



深圳市华德共创科技有限公司

SHENZHEN HUADE CO-CREATE TECHNOLOGY CO.,LTD

TEL : 0755-27129737 FAX : 0755-29940187

-TOLERANCES- UNLESS OTHERWISE SPECIFIED 公差参数表				TITLE: 3.96mm Pitch Housing 产品名称: 3.96mm Pitch Housing	
X.X	±0.30	X.X°	±3°	APPD: 核准: XIE	PART NO: 产品编号: HDGC3971H-XP
X.XX	±0.30	X.XX°	±2°	CHECK: 校对: WANG	DATE SCALE UNIT CODE NUMBER
X.XXX	±0.10	X.XXX°	±1°	DRAW: 绘图: WANG	2014-04-30 5:1 mm A008

修订 REV	标记 MARK	修改摘要 REVISION DESCRIPTION	签名 SIGNATURE	日期 DATE
AO		NEW RELEASE	WANG	2014-04-30

Ordering Information:

HDGC3971H-F-XP - ***

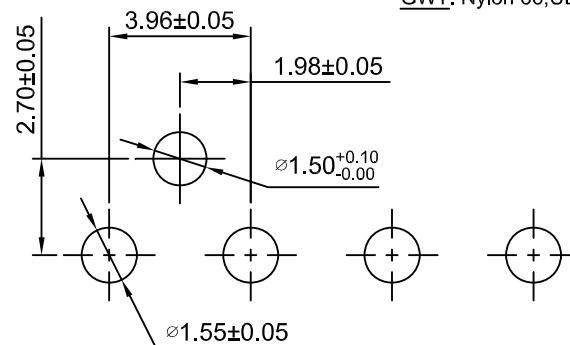
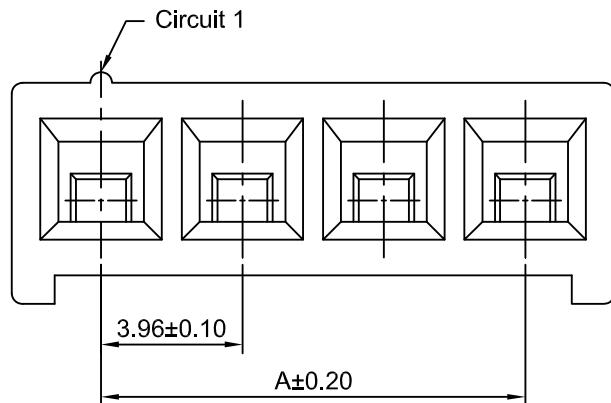
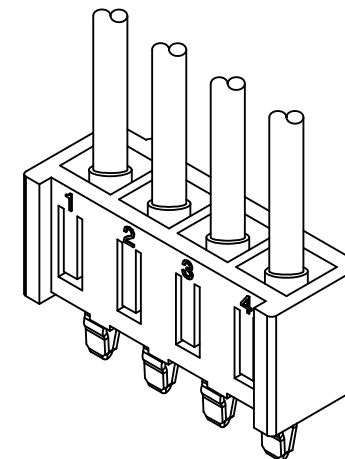
1 2

1.Part No.

2.Material:

(blank): Nylon 66,UL94V-0

GWT: Nylon 66,UL94V-0,GWT 750°C



P.C.B LAYOUT

SPECIFICATIONS:

Current Rating: 7A AC,DC

Voltage Rating: 250V AC,DC

Temperature Range: -25°C~+85°C

Contact Resistance: 10mΩ Max.

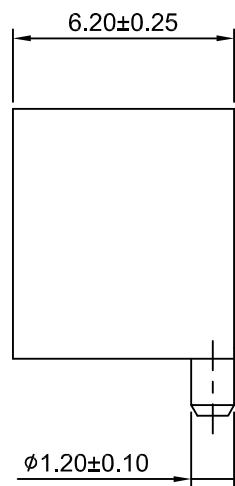
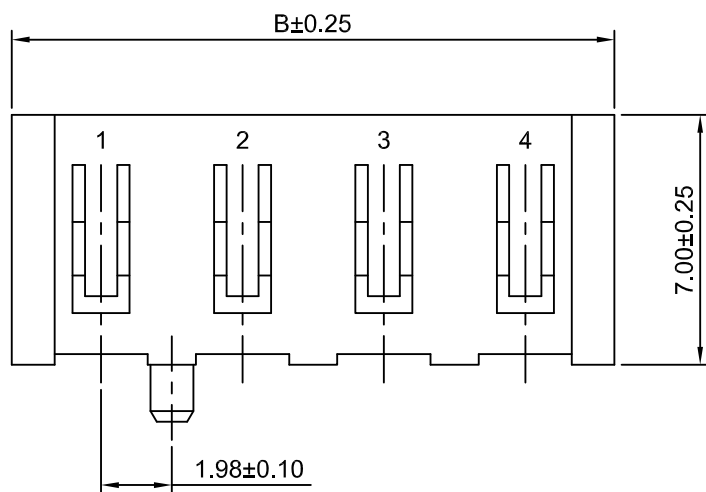
Insulation Resistance: 1000MΩ Min.

Withstanding Voltage: 1500V AC/minute

Material:Nylon 66,UL94v-0 (White)

Ordering Information & Dimensions

Circuits	Dimensions(mm)		Circuits	Dimensions(mm)	
	A	B		A	B
2P	3.96	8.96	9P	31.68	36.68
3P	7.92	12.92	10P	35.64	40.64
4P	11.88	16.88	11P	39.60	44.60
5P	15.84	20.84	12P	43.56	48.56
6P	19.80	24.80	13P	47.52	52.52
7P	23.76	28.76	14P	51.48	56.48
8P	27.72	32.72	15P	55.44	60.44



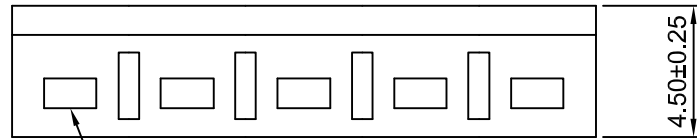
深圳市华德共创科技有限公司

SHENZHEN HUADE CO-CREATE TECHNOLOGY CO.,LTD

TEL : 0755-27129737 FAX : 0755-29940187

-TOLERANCES- UNLESS OTHERWISE SPECIFIED 公差参数表				TITLE: 产品名称: 3.96mm Pitch Housing	
X.X	±0.30	X.X°	±3°	APPD: 核准:	XIE
X.XX	±0.30	X.XX°	±2°	CHECK: 校对:	WANG
X.XXX	±0.10	X.XXX°	±1°	DRAW: 绘图:	WANG
PART NO: 产品编号:			HDGC3971H-F-XP		
DATE	SCALE	UNIT	CODE NUMBER		
2014-04-30	5:1	mm	A008		

修订 REV	标记 MARK	修改摘要 REVISION DESCRIPTION	签名 SIGNATURE	日期 DATE
AO		NEW RELEASE	WANG	2014-04-30



Circuit 1

Ordering Information:

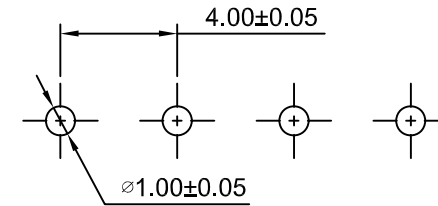
HDGC3971HA-XP - ***
1 2

1.Part No.

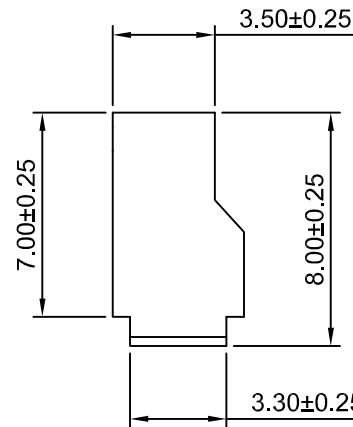
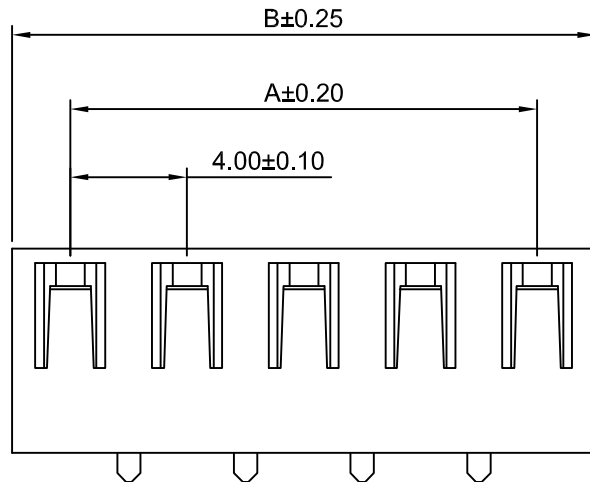
2.Material:

(blank): Nylon 66,UL94V-0

GWT: Nylon 66,UL94V-0,GWT 750°C



P.C.B LAYOUT



SPECIFICATIONS:

Current Rating: 7A AC,DC

Voltage Rating: 250V AC,DC

Temperature Range: -25°C~+85°C

Contact Resistance: 10mΩ Max.

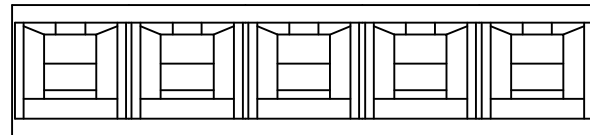
Insulation Resistance: 1000MΩ Min.

Withstanding Voltage: 1500V AC/minute

Material:Nylon 66,UL94V-0 (White)

Ordering Information & Dimensions

Circuits	Dimensions(mm)		Circuits	Dimensions(mm)	
	A	B		A	B
2P	4.00	8.00	9P	32.00	36.00
3P	8.00	12.00	10P	36.00	40.00
4P	12.00	16.00	11P	40.00	44.00
5P	16.00	20.00	12P	44.00	48.00
6P	20.00	24.00	13P	48.00	52.00
7P	24.00	28.00	14P	52.00	56.00
8P	28.00	32.00	15P	56.00	60.00



HDGC 深圳市华德共创科技有限公司
SHENZHEN HUADE CO-CREATE TECHNOLOGY CO.,LTD
TEL : 0755-27129737 FAX : 0755-29940187

-TOLERANCES- UNLESS OTHERWISE SPECIFIED 公差参数表				TITLE: 3.96mm Pitch Housing 产品名称: 3.96mm Pitch Housing	
X.X	±0.30	X.X°	±3°	APPD: 核准:	XIE
X.XX	±0.30	X.XX°	±2°	CHECK: 校对:	WANG
X.XXX	±0.10	X.XXX°	±1°	DRAW: 绘图:	WANG
PART NO: 产品编号:		HDGC3971HA-XP			
DATE	SCALE	UNIT	CODE NUMBER		
2014-04-30	5:1	mm	A008		