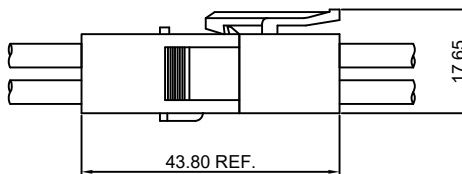
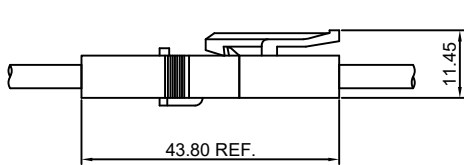


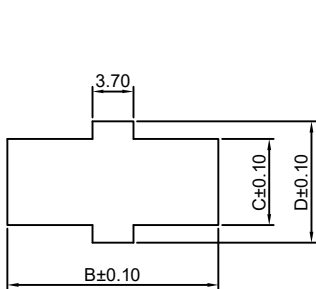
Specifications

- Current rating: 10A AC, DC
- Voltage rating: 250V AC, DC
- Temperature range: -25°C ~ +85°C
- Contact resistance: 10mΩ Max.
- Insulation resistance: 1000MΩ Min.
- Withstanding voltage: 1500V AC/minute
- *Compliant with RoHS and REACH*
- *Meet the HF/Halogen Free, GWT/Glow wire Test (IEC60335-1) request, need to customize*
- *Contact HDGC for details*

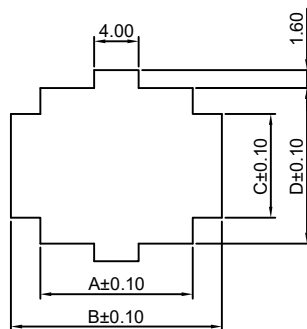
Assembly layout



Panel hole layout



HDGC6203HM-2P~4P



HDGC6203HM-2x2P~3x5P

PART NO.	Dimensions			
	A	B	C	D
HDGC6203HM-2P	----	19.10	7.80	11.00
HDGC6203HM-3P	----	25.30	7.80	11.00
HDGC6203HM-4P	----	31.50	7.80	11.00
HDGC6203HM-2x2P	13.80	19.10	9.40	14.10
HDGC6203HM-2x3P	20.00	25.30	9.40	14.10
HDGC6203HM-3x3P	20.00	25.30	9.40	20.30
HDGC6203HM-3x4P	26.20	31.50	12.80	20.30
HDGC6203HM-3x5P	32.40	37.70	12.80	20.30

Unit:mm



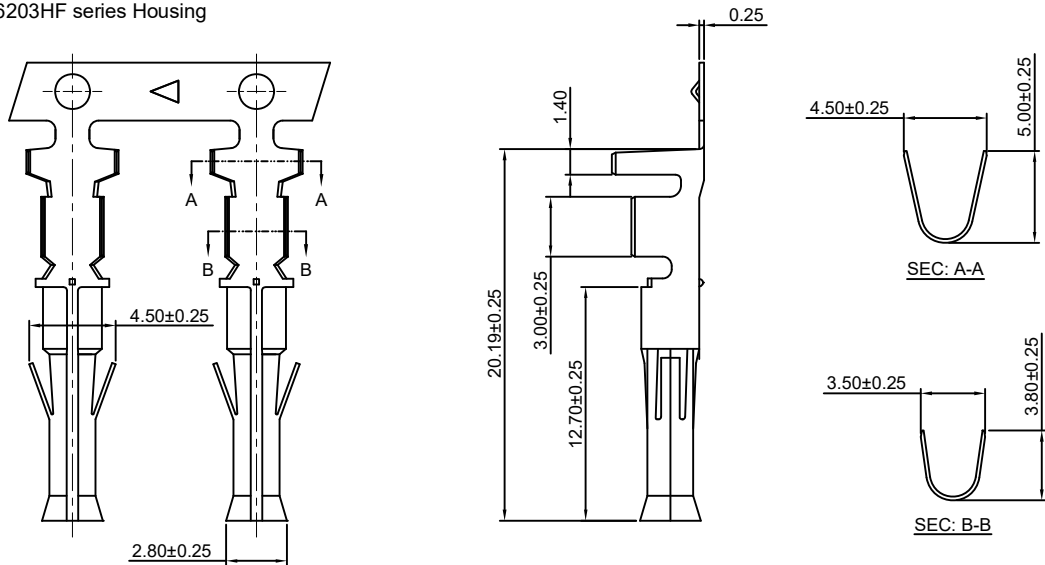
HDGC6203 Series 6.20mm (.244") Pitch Wire to Wire Connector

HDGC6203F-T

6.20mm pitch Crimp Terminal

Reference Informations:

*Used in HDGC6203HF series Housing



Ordering information & Specifications:

Unit:mm

Part NO.	Wire Range	Insulation O.D.	Material	Finish	Qty/reel
HDGC6203F-TB	AWG#14-#20	4.10mm(max)	Brass	Tin over Nickel	2,500 PCS
HDGC6203F-TP	AWG#14-#20	4.10mm(max)	Phosphor Bronze	Tin over Nickel	2,500 PCS
HDGC6203F-GB	AWG#14-#20	4.10mm(max)	Brass	Gold over Nickel	2,500 PCS
HDGC6203F-GP	AWG#14-#20	4.10mm(max)	Phosphor Bronze	Gold over Nickel	2,500 PCS

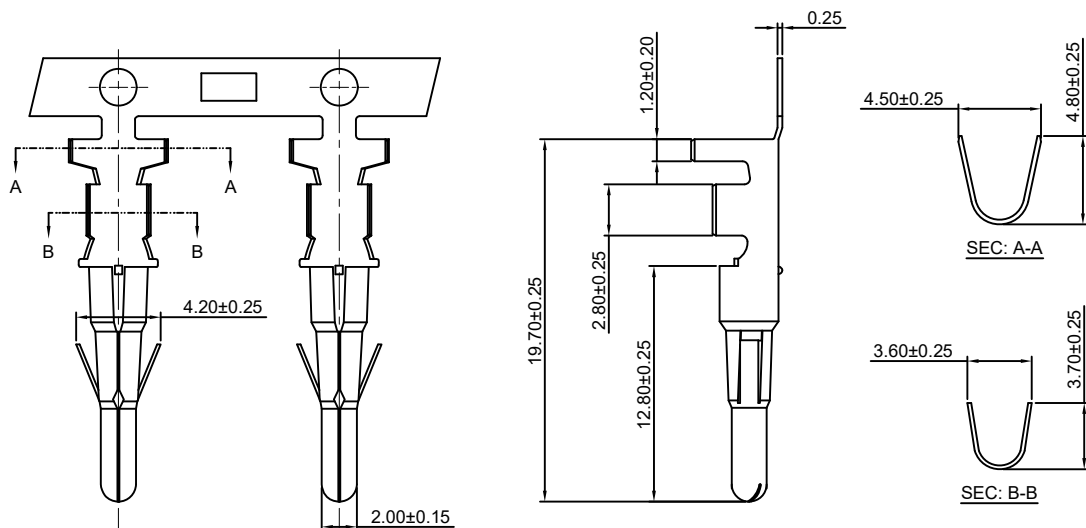
Optional Gold plating available but MOQ requested

HDGC6203M-T

6.20mm pitch Crimp Terminal

Reference Informations:

*Used in HDGC6203HM, HDGC6203HMA series Housing



Ordering information & Specifications:

Unit:mm

Part NO.	Wire Range	Insulation O.D.	Material	Finish	Qty/reel
HDGC6203M-TB	AWG#14-#20	4.10mm(max)	Brass	Tin over Nickel	2,500 PCS
HDGC6203M-TP	AWG#14-#20	4.10mm(max)	Phosphor Bronze	Tin over Nickel	2,500 PCS
HDGC6203M-GB	AWG#14-#20	4.10mm(max)	Brass	Gold over Nickel	2,500 PCS
HDGC6203M-GP	AWG#14-#20	4.10mm(max)	Phosphor Bronze	Gold over Nickel	2,500 PCS

Optional Gold plating available but MOQ requested



HDGC6203 Series 6.20mm (.244") Pitch Wire to Wire Connector

HDGC6203H

6.20mm Pitch Housing

Reference Informations:

- *Material: Nylon 66, UL94V-2 or UL94V-0
- *HDGC6203HM(Suitable Terminal: HDGC6203M-T)
- *HDGC6203HF(Suitable Terminal: HDGC6203F-T)
- *Color: Natural

Ordering Information:

HDGC6203HF-XP - $\frac{***}{1} - \frac{**}{2} - \frac{**}{3}$

- 1. Part No.
- 2. Material:
(blank): Nylon 66, UL94V-2
V0: Nylon 66, UL94V-0
GWT: Nylon 66, UL94V-0, GWT 750°C
- 3. Color:
(blank): Natural
WH: White
BK: Black

Ordering Information:

HDGC6203HM<HMA>-XP - $\frac{***}{1} - \frac{**}{2} - \frac{**}{3}$

- 1. Part No.
- 2. Material:
(blank): Nylon 66, UL94V-2
V0: Nylon 66, UL94V-0
GWT: Nylon 66, UL94V-0, GWT 750°C
- 3. Color:
(blank): Natural
WH: White
BK: Black

Unit: mm

HDGC6203HM<HMA>	HDGC6203HF
<p><u>HDGC6203HM-1P</u></p>	<p><u>HDGC6203HF-1P</u></p>
<p><u>HDGC6203HM-2P</u></p>	<p><u>HDGC6203HF-2P</u></p>
<p><u>HDGC6203HMA-2P</u></p>	
<p><u>HDGC6203HMB-2P</u></p>	



HDGC6203 Series 6.20mm (.244") Pitch Wire to Wire Connector

HDGC6203H

6.20mm Pitch Housing

Unit: mm

HDGC6203HM<HMA>	HDGC6203HF
<p><u>HDGC6203HM-3P</u></p>	<p><u>HDGC6203HF-3P</u></p>
<p><u>HDGC6203HMA-3P</u></p>	<p><u>HDGC6203HF-4P</u></p>
<p><u>HDGC6203HM-4P</u></p>	<p><u>HDGC6203HF-2x2P</u></p>
<p><u>HDGC6203HM-2x2P</u></p>	<p><u>HDGC6203HMA-2x2P</u></p>



HDGC6203 Series 6.20mm (.244") Pitch Wire to Wire Connector

HDGC6203H

6.20mm Pitch Housing

Unit: mm

HDGC6203HM<HMA>	HDGC6203HF
<p><u>HDGC6203HM-2x3P</u></p>	<p><u>HDGC6203HF-2x3P</u></p>
<p><u>HDGC6203HM-S-2x3P</u></p>	<p><u>HDGC6203HF-S-2x3P</u></p>
<p><u>HDGC6203HM-3x3P</u></p>	<p><u>HDGC6203HF-3x3P</u></p>



HDGC6203 Series 6.20mm (.244") Pitch Wire to Wire Connector

HDGC6203H

6.20mm Pitch Housing

Unit: mm

