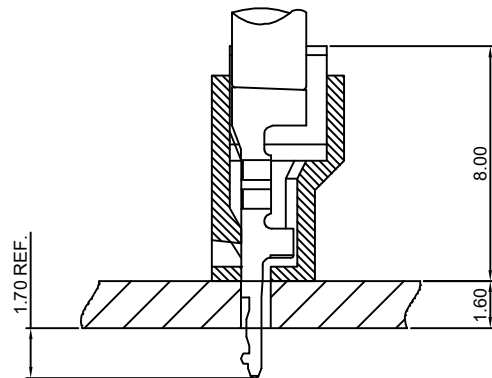
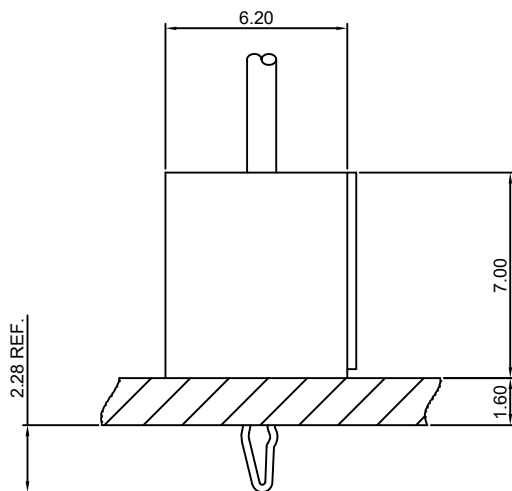


## Specifications

- Current rating: 7A AC, DC
- Voltage rating: 250V AC, DC
- Temperature range: -25°C ~ +85°C
- Contact resistance: 10mΩ Max.
- Insulation resistance: 1000MΩ Min.
- Withstanding voltage: 1500V AC/minute
- \*Compliant with RoHS and REACH\*
- \*Meet the HF/Halogen Free, GWT/Glow wire Test (IEC60335-1) request, need to customize\*
- \*Contact HDGC for details\*

## Assembly layout





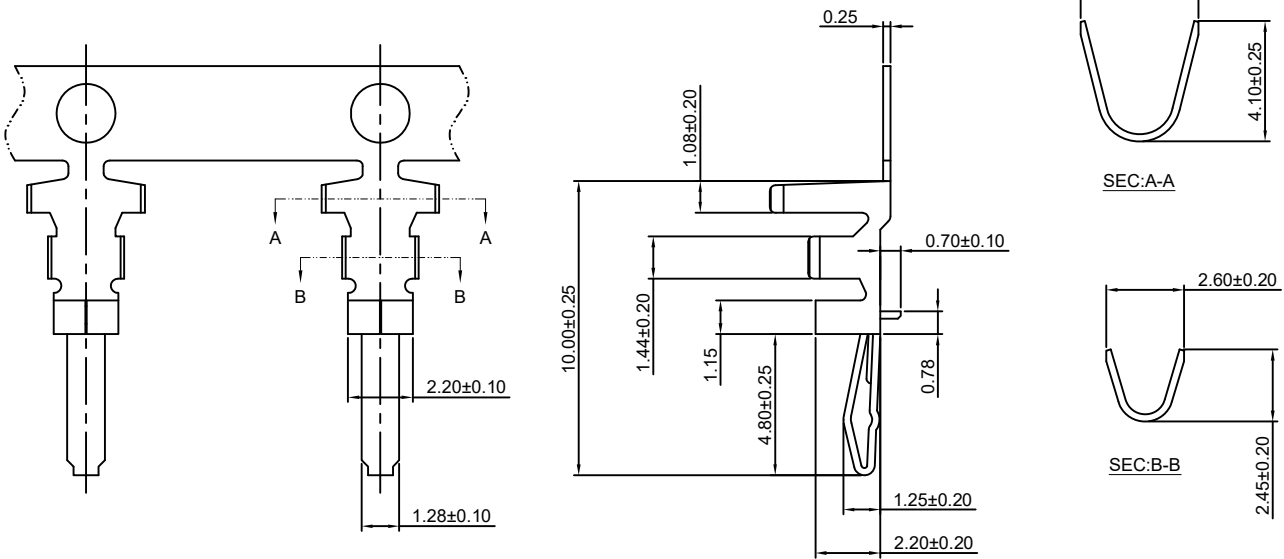
## HDGC3971 Series 3.96mm (.156") - 4.00mm (.157") Pitch Board-in Connector

### HDGC3971-T

3.96mm pitch Crimp Terminal

**Reference Informations:**

\*Used in HDGC3971H-XP, HDGC3971H-F-XP series Housing



Ordering information & Specifications:

Unit:mm

Part NO.	Wire Range	Insulation O.D.	Material	Finish	Qty/reel
HDGC3971-TB	AWG#18-#22	3.00mm(max)	Brass	Tin over Nickel	5,000 PCS
HDGC3971-TP	AWG#18-#22	3.00mm(max)	Phosphor Bronze	Tin over Nickel	5,000 PCS
HDGC3971-GB	AWG#18-#22	3.00mm(max)	Brass	Gold over Nickel	5,000 PCS
HDGC3971-GP	AWG#18-#22	3.00mm(max)	Phosphor Bronze	Gold over Nickel	5,000 PCS

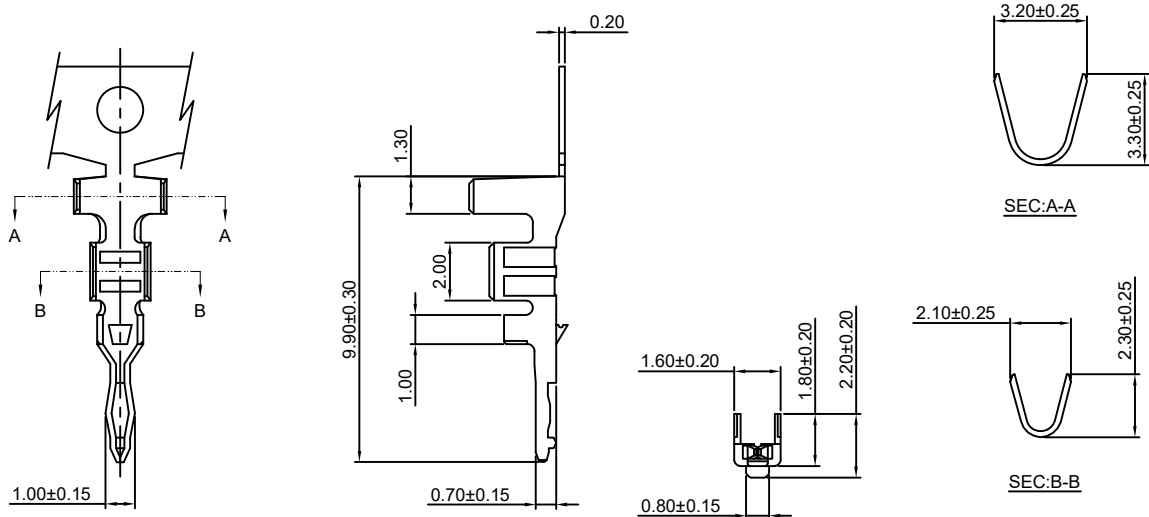
Optional Gold plating available but MOQ requested

### HDGC3971-T-A

4.00mm pitch Crimp Terminal

**Reference Informations:**

\*Used in HDGC3971HA-XP series Housing



Ordering information & Specifications:

Unit:mm

Part NO.	Wire Range	Insulation O.D.	Material	Finish	Qty/reel
HDGC3971-TB-A	AWG#18-#22	2.60mm(max)	Brass	Tin over Nickel	5,000 PCS
HDGC3971-TP-A	AWG#18-#22	2.60mm(max)	Phosphor Bronze	Tin over Nickel	5,000 PCS
HDGC3971-GB-A	AWG#18-#22	2.60mm(max)	Brass	Gold over Nickel	5,000 PCS
HDGC3971-GP-A	AWG#18-#22	2.60mm(max)	Phosphor Bronze	Gold over Nickel	5,000 PCS

Optional Gold plating available but MOQ requested



## HDGC3971 Series 3.96mm (.156") - 4.00mm (.157") Pitch Board-in Connector

### HDGC3971H-XP

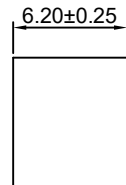
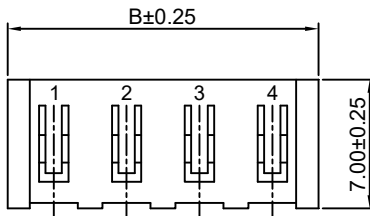
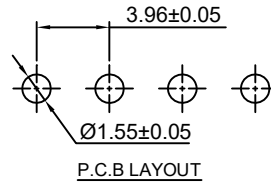
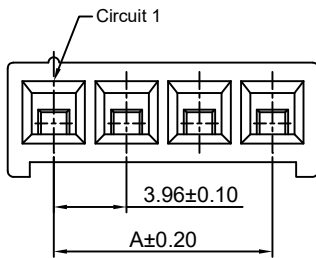
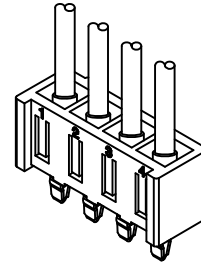
3.96mm pitch Housing

**Reference Informations:**

- \*Material:Nylon 66,UL94V-0
- \*Suitable HDGC3971-T series Terminal
- \*Color:Natural(white)

**Ordering Information:**

- HDGC3971H-XP - \*\*\*  
 1 2  
 1.Part No.  
 2.Material:  
 (blank):Nylon 66,UL94V-0  
 GWT:Nylon 66,UL94V-0,GWT 750°C



**Ordering Information & Dimensions:**

PART NO.	Dimensions	
	A	B
2P	3.96	8.96
3P	7.92	12.92
4P	11.88	16.88
5P	15.84	20.84
6P	19.80	24.80
7P	23.76	28.76
8P	27.72	32.72
9P	31.68	36.68
10P	35.64	40.64
11P	39.60	44.60
12P	43.56	48.56
13P	47.52	52.52
14P	51.48	56.48
15P	55.44	60.44

Unit: mm

### HDGC3971H-F-XP

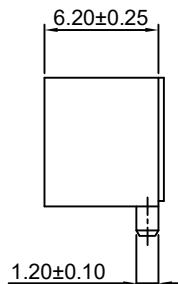
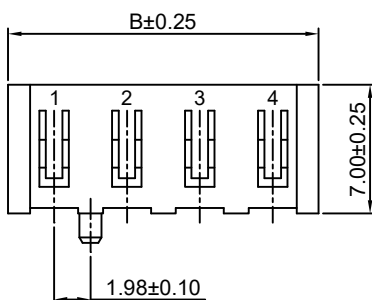
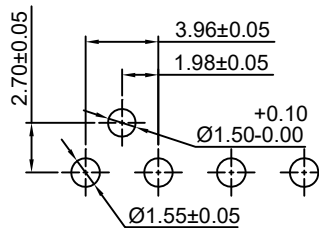
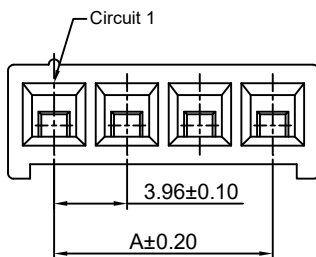
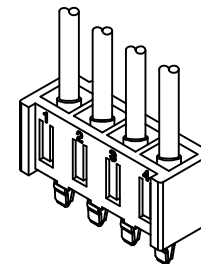
3.96mm pitch Housing

**Reference Informations:**

- \*Material:Nylon 66,UL94V-0
- \*Suitable HDGC3971-T series Terminal
- \*Color:Natural(white)

**Ordering Information:**

- HDGC3971H-F-XP - \*\*\*  
 1 2  
 1.Part No.  
 2.Material:  
 (blank):Nylon 66,UL94V-0  
 GWT:Nylon 66,UL94V-0,GWT 750°C



**Ordering Information & Dimensions:**

PART NO.	Dimensions	
	A	B
2P	3.96	8.96
3P	7.92	12.92
4P	11.88	16.88
5P	15.84	20.84
6P	19.80	24.80
7P	23.76	28.76
8P	27.72	32.72
9P	31.68	36.68
10P	35.64	40.64
11P	39.60	44.60
12P	43.56	48.56
13P	47.52	52.52
14P	51.48	56.48
15P	55.44	60.44

Unit: mm



## HDGC3971 Series 3.96mm (.156") - 4.00mm (.157") Pitch Board-in Connector

### HDGC3971HA-XP

4.00mm pitch Housing

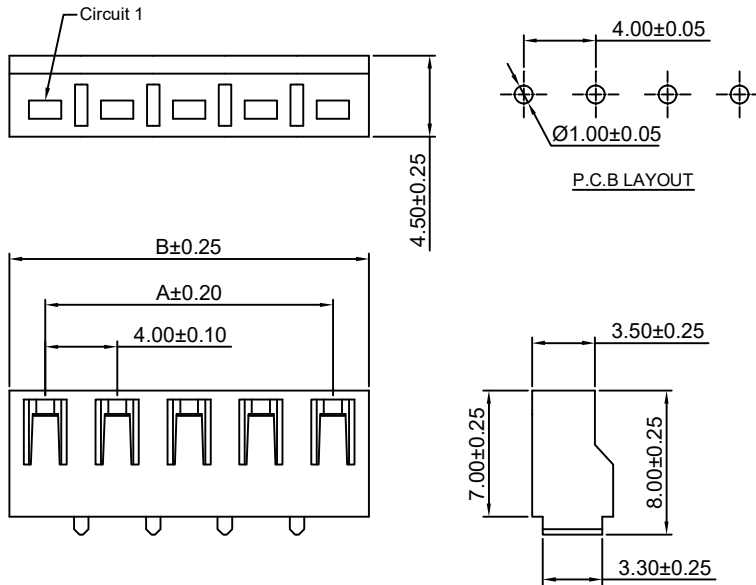
#### Reference Informations:

- \*Material: Nylon 66, UL94V-0
- \*Suitable HDGC3971-T-A series Terminal
- \*Color: Natural(white)

#### Ordering Information:

HDGC3971HA-XP - \*\*\*  
1 2

1. Part No.
2. Material:  
(blank): Nylon 66, UL94V-0  
GWT: Nylon 66, UL94V-0, GWT 750°C



#### Ordering Information & Dimensions:

PART NO.	Dimensions	
	A	B
2P	4.00	8.00
3P	8.00	12.00
4P	12.00	16.00
5P	16.00	20.00
6P	20.00	24.00
7P	24.00	28.00
8P	28.00	32.00
9P	32.00	36.00
10P	36.00	40.00
11P	40.00	44.00
12P	44.00	48.00
13P	48.00	52.00
14P	52.00	56.00
15P	56.00	60.00

Unit: mm