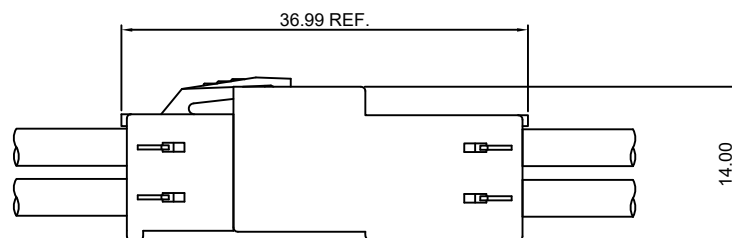


Specifications

- Current rating: 15A AC,DC
- Voltage rating: 600V AC,DC
- Temperature range: -25°C~+85°C
- Contact resistance: 3.5mΩ Max.
- Insulation resistance: 1000MΩ Min.
- Withstanding voltage: 5000V AC/minute
- *Compliant with RoHS and REACH*
- *Meet the HF/Halogen Free, GWT/Glow wire Test (IEC60335-1) request, need to customize*
- *Contact HDGC for details*

Assembly layout





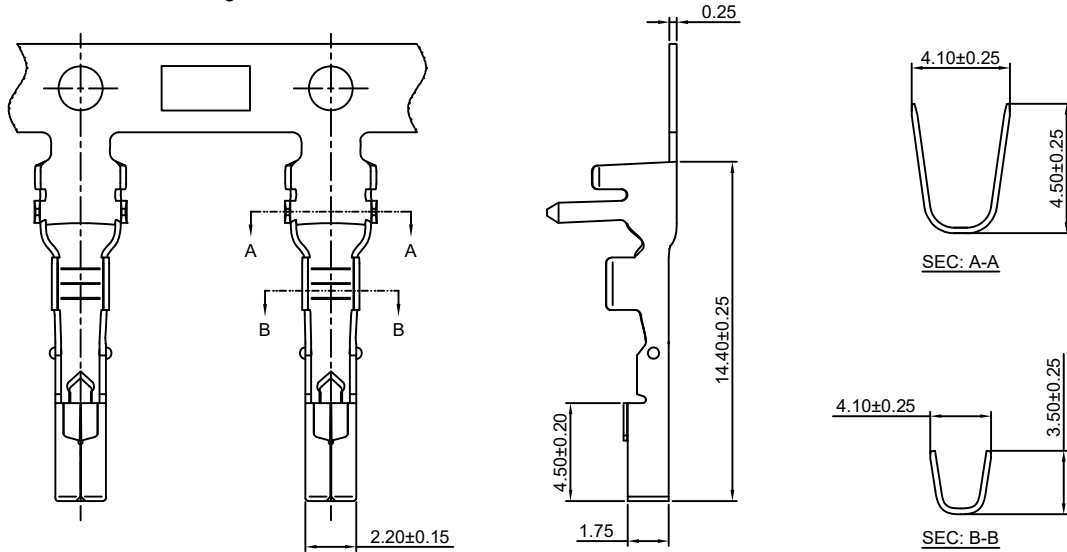
HDGC3968 Series 3.96mm (.156") Pitch Wire to Wire Connector

HDGC3968F-T

3.96mm pitch Crimp Terminal

Reference Informations:

*Used in HDGC3968HF series Housing



Ordering information & Specifications:

Unit:mm

Part NO.	Wire Range	Insulation O.D.	Material	Finish	Qty/reel
HDGC3968F-TP	AWG#16-#20	3.10mm(max)	Phosphor Bronze	Tin over Nickel	3,000 PCS
HDGC3968F-GP	AWG#16-#20	3.10mm(max)	Phosphor Bronze	Gold over Nickel	3,000 PCS

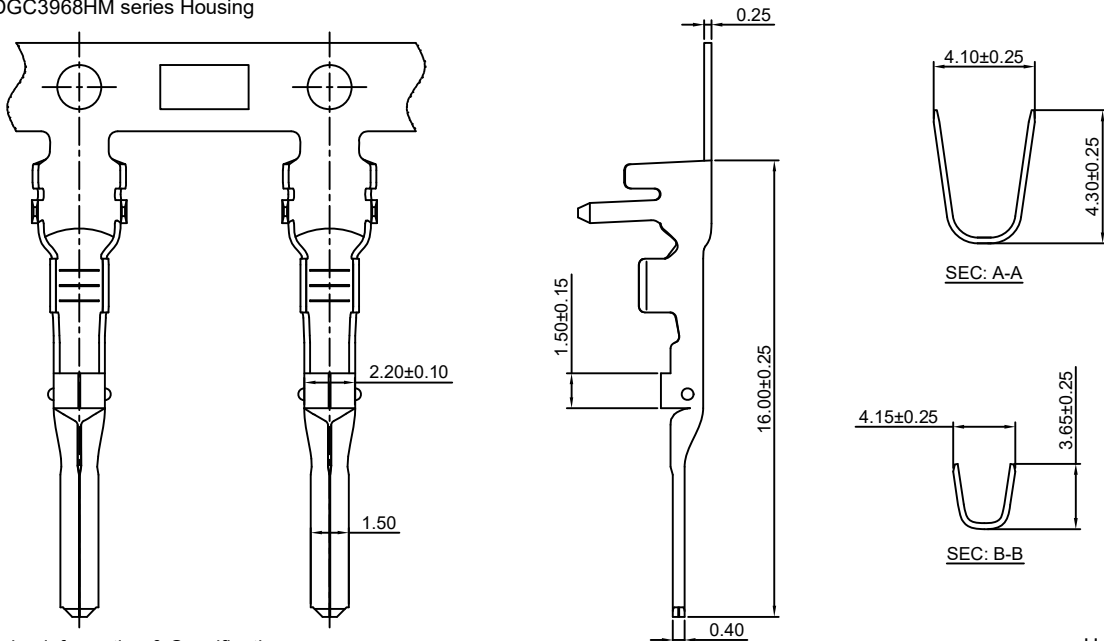
Optional Gold plating available but MOQ requested

HDGC3968M-T

3.96mm pitch Crimp Terminal

Reference Informations:

*Used in HDGC3968HM series Housing



Ordering information & Specifications:

Unit:mm

Part NO.	Wire Range	Insulation O.D.	Material	Finish	Qty/reel
HDGC3968M-TP	AWG#16-#20	3.10mm(max)	Phosphor Bronze	Tin over Nickel	3,000 PCS
HDGC3968M-GP	AWG#16-#20	3.10mm(max)	Phosphor Bronze	Gold over Nickel	3,000 PCS

Optional Gold plating available but MOQ requested



HDGC3968 Series 3.96mm (.156") Pitch Wire to Wire Connector

HDGC3968H

3.96mm Pitch Housing

Reference Informations:

*Material:Housing:Nylon 66,UL94V-0
Retainer:Nylon 66,UL94V-0

*HDGC3968HM(Suitable Terminal:HDGC3968 M-T)

*HDGC3968HF(Suitable Terminal:HDGC3968F-T)

*Color:Natural

Ordering Information:

HDGC3968HF-XP - ***
1 2

1.Part No.
2.Material:

(blank):Nylon 66,UL94V-0

GWT:Nylon 66,UL94V-0,GWT 750°C

Ordering Information:

HDGC3968HM-XP - ***
1 2

1.Part No.
2.Material:

(blank):Nylon 66,UL94V-0

GWT:Nylon 66,UL94V-0,GWT 750°C

Unit: mm

HDGC3968HF	HDGC3968HM	HDGC3968S
<p>HDGC3968HF-2P</p>	<p>HDGC3968HM-2P</p>	<p>HDGC3968S-2P</p>
<p>HDGC3968HF-3P</p>	<p>HDGC3968HM-3P</p>	<p>HDGC3968S-3P</p>
<p>HDGC3968HF-2x2P</p>	<p>HDGC3968HM-2x2P</p>	<p>HDGC3968S-2P</p>



HDGC3968 Series 3.96mm (.156") Pitch Wire to Wire Connector

HDGC3968H

3.96mm Pitch Housing

Reference Informations:

- *Material:Housing:Nylon 66,UL94V-0
Retainer:Nylon 66,UL94V-0
- *HDGC3968HM(Suitable Terminal:HDGC3968M-T)
- *HDGC3968HF(Suitable Terminal: HDGC3968F-T)
- *Color:Natural

Ordering Information:

- HDGC3968HF-2xXP - ***
1 2
- 1.Part No.
2.Material:
(blank):Nylon 66,UL94V-0
GWT:Nylon 66,UL94V-0,GWT 750°C

Ordering Information:

- HDGC3968HM-2xXP - ***
1 2
- 1.Part No.
2.Material:
(blank):Nylon 66,UL94V-0
GWT:Nylon 66,UL94V-0,GWT 750°C

Unit: mm

