

Specifications

- Current rating: 2A AC, DC
- Voltage rating: 100V AC, DC
- Temperature range: -25°C ~ +85°C
- Contact resistance: 10mΩ Max.
- Insulation resistance: 1000MΩ Min.
- Withstanding voltage: 800V AC/minute
- *Compliant with RoHS and REACH*
- *Meet the HF/Halogen Free, GWT/Glow wire Test (IEC60335-1) request, need to customize*
- *Contact HDGC for details*



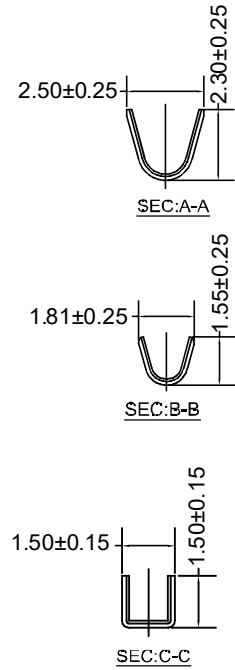
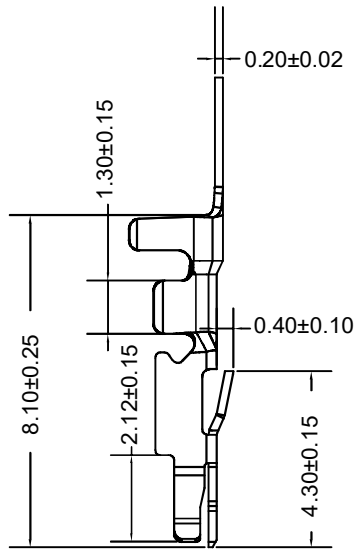
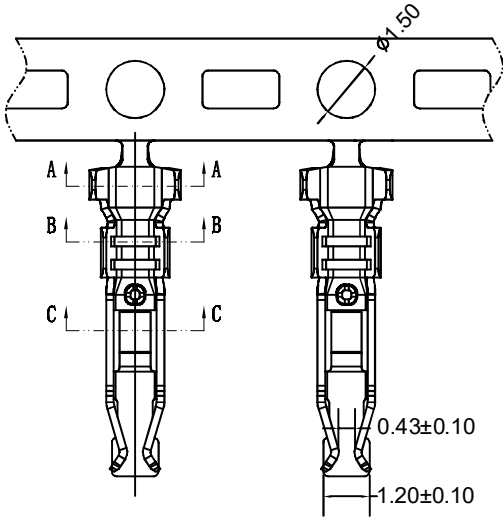
HDGC2522 Series 2.50mm (.098") Pitch Wire to Board Connector

HDGC2522-T

2.50mm pitch Crimp Terminal

Reference Informations:

*Used in HDGC2522 series Housing



Ordering information & Specifications:

Unit:mm

Part NO.	Wire Range	Insulation O.D.	Material	Finish	Qty/reel
HDGC2522-TP	AWG #24-#28	1.60mm(max)	Phosphor Bronze	Tin over Nickel	15,000 PCS
HDGC2522-GP	AWG #24-#28	1.60mm(max)	Phosphor Bronze	Gold over Nickel	15,000 PCS

Optional Gold plating available but MOQ requested

HDGC2522H-2xXP

2.50mm pitch Housing

Reference Informations:

*Material:Nylon 66,UL94V-0

*Suitable HDGC2522-T series Terminal

*Color:Black

Ordering Information:

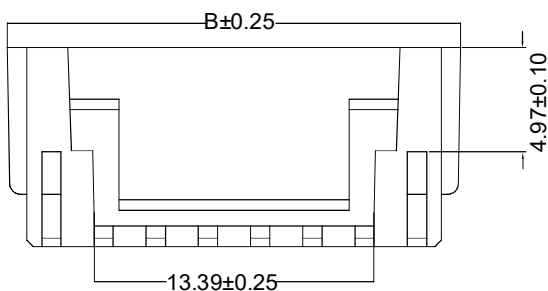
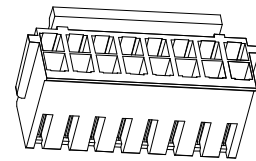
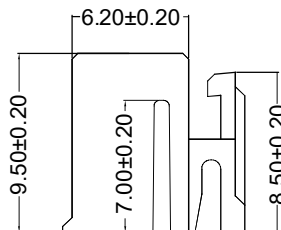
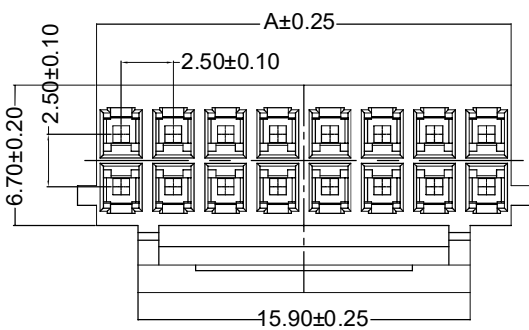
HDGC2522H-2xXP-***
1 2

1.Part No.

2.Material:

(blank):Nylon 66,UL94V-0

GWT:Nylon 66,UL94V-0,GWT 750°C



Ordering Information & Dimensions:

PART NO.	Dimensions	
	A	B
2X8P	19.85	21.70
2X9P	22.35	24.20
2X10P	24.85	26.70

Unit: mm