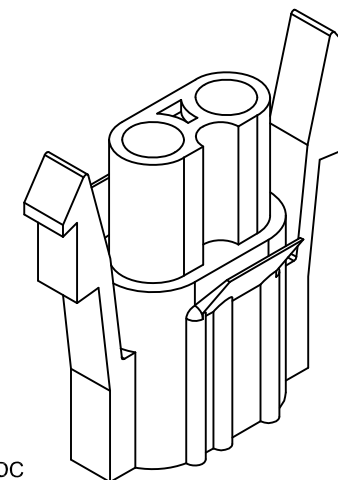
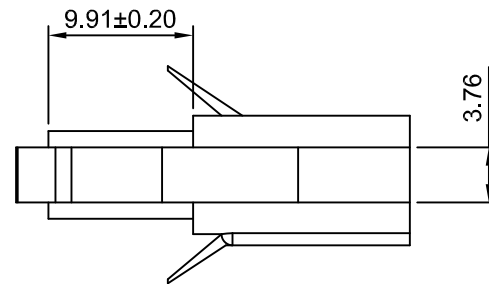


修订 REV	标记 MARK	修改摘要 REVISION DESCRIPTION	签名 SIGNATURE	日期 DATE
AO		NEW RELEASE	WANG	2012-12-26

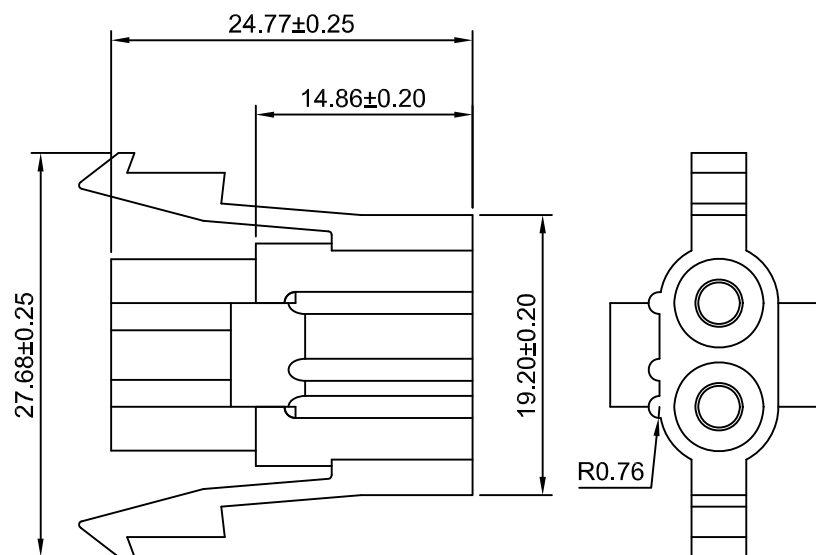
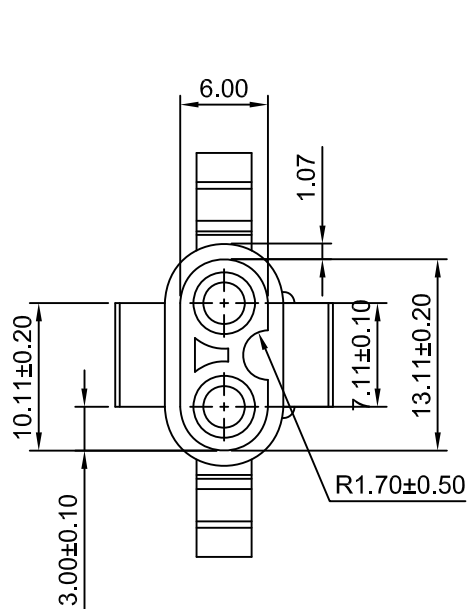


SPECIFICATIONS:

Current Rating: 13A AC,DC
Voltage Rating: 250V AC,DC
Temperature Range: -25°C ~ +85°C
Contact Resistance: 3.5mΩ Max
Insulation Resistance: 1000MΩ Min
Withstanding Voltage: 5000V AC/minute
Material: Nylon 66,UL94V-2 or UL94V-0

Ordering Information & Dimensions

PART NO.	Color	Material
2P	Natural	Nylon66(V2)
2P-V0	White	Nylon66(V0)
2P-BK	Black	Nylon66(V2)
2P-GY	Gray	Nylon66(V2)
2P-VI	Violet	Nylon66(V2)
2P-GN	Green	Nylon66(V2)
2P-YL	Yellow	Nylon66(V2)
2P-OR	Orange	Nylon66(V2)
2P-BR	Brown	Nylon66(V2)



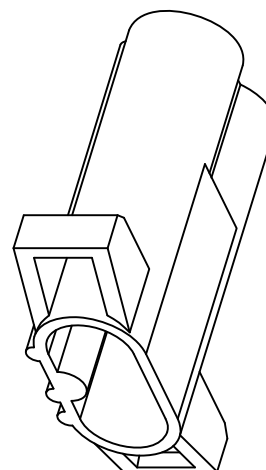
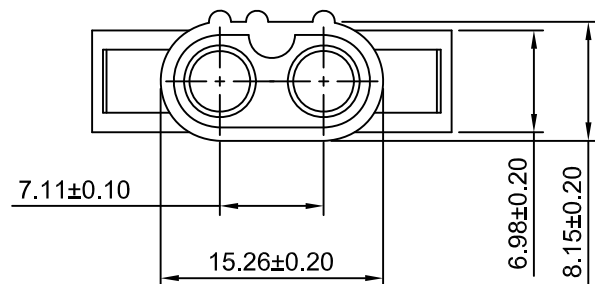
深圳市华德共创科技有限公司

SHENZHEN HUADE CO-CREATE TECHNOLOGY CO.,LTD

TEL : 0755-27129737 FAX : 0755-29940187

-TOLERANCES- UNLESS OTHERWISE SPECIFIED 公差参数表						TITLE: 产品名称: 7.11mm Pitch Housing			
X.X	±0.30	X.X°	±3°	APPD: 核准:	XIE	PART NO: 产品编号: HDGC7110HF-2P			
X.XX	±0.30	X.XX°	±2°	CHECK: 校对:	WANG	DATE	SCALE	UNIT	CODE NUMBER
X.XXX	±0.10	X.XXX°	±1°	DRAW: 绘图:	WANG	2012-12-26	2:1	mm	A008

修订 REV	标记 MARK	修改摘要 REVISION DESCRIPTION	签名 SIGNATURE	日期 DATE
AO		NEW RELEASE	WANG	2012-12-26

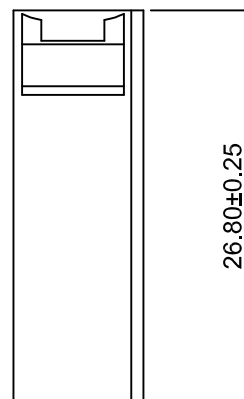
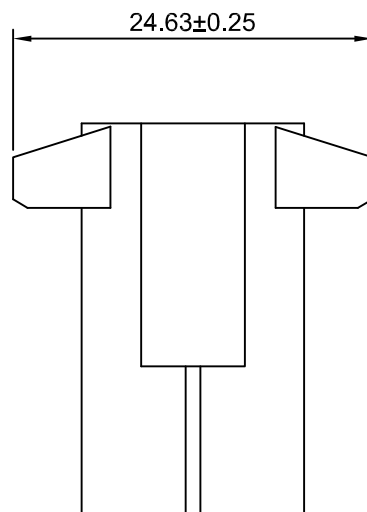


SPECIFICATIONS:

Current Rating: 13A AC,DC
Voltage Rating: 250V AC,DC
Temperature Range: -25°C ~ +85°C
Contact Resistance: 3.5mΩ Max
Insulation Resistance: 1000MΩ Min
Withstanding Voltage: 5000V AC/minute
Material: Nylon 66,UL94V-2 or UL94V-0

Ordering Information & Dimensions

PART NO.	Color	Material
2P	Natural	Nylon66(V2)
2P-V0	White	Nylon66(V0)
2P-BK	Black	Nylon66(V2)
2P-GY	Gray	Nylon66(V2)
2P-VI	Violet	Nylon66(V2)
2P-GN	Green	Nylon66(V2)
2P-YL	Yellow	Nylon66(V2)
2P-OR	Orange	Nylon66(V2)
2P-BR	Brown	Nylon66(V2)



深圳市华德共创科技有限公司

SHENZHEN HUADE CO-CREATE TECHNOLOGY CO.,LTD

TEL : 0755-27129737 FAX : 0755-29940187

-TOLERANCES- UNLESS OTHERWISE SPECIFIED 公差参数表				 		TITLE: 产品名称 : 7.11mm Pitch Housing			
X.X	±0.30	X.X°	±3°	APPD: 核准 :	XIE	PART NO: 产品编号 : HDGC7110HM-2P			
X.XX	±0.30	X.XX°	±2°	CHECK: 校对 :	WANG	DATE	SCALE	UNIT	CODE NUMBER
X.XXX	±0.10	X.XXX°	±1°	DRAW: 绘图 :	WANG	2012-12-26	2:1	mm	A008