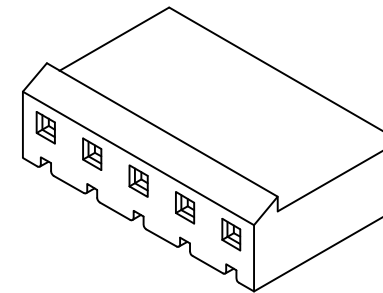


修订 REV	标记 MARK	修改摘要 REVISION DESCRIPTION	签名 SIGNATURE	日期 DATE
AO		NEW RELEASE	WANG	2011-06-12

Ordering Information:  
HDGC5081H-XP - \*\*  
 1 2

- 1.Part No.  
 2.Style:  
(blank)-Type 1  
 2-Type 2  
 3:Color:  
(blank):Natural  
BK:Black  
RD:Red  
BL:Blue  
YL:Yellow  
GN:Green



**SPECIFICATIONS:**  
 Current Rating: 7A AC,DC  
 Voltage Rating: 250V AC,DC  
 Temperature Range: -25°C ~ +85°C  
 Contact Resistance: 10mΩ Max  
 Insulation Resistance: 1000MΩ Min  
 Withstanding Voltage: 1500V AC/minute  
 Material: Nylon 66,UL94V-2(Natural)

Ordering Information & Dimensions

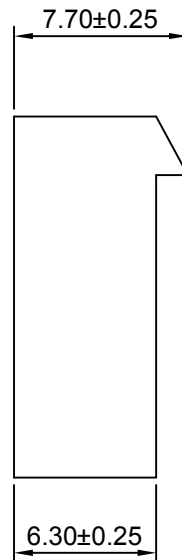
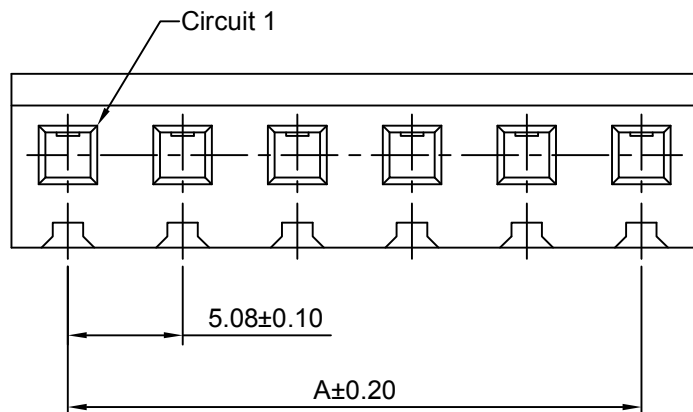
Circuits	Dimensions(mm)		Circuits	Dimensions(mm)	
	A	B		A	B
2P	5.08	10.08	12P	55.88	60.88
3P	10.16	15.16	13P	60.96	65.96
4P	15.24	20.24	14P	66.04	70.04
5P	20.32	25.32	15P	71.12	76.12
6P	25.40	30.40	16P	76.20	81.20
7P	30.48	35.48	17P	81.28	86.28
8P	35.56	40.56	18P	86.36	91.36
9P	40.64	45.64	19P	91.44	96.44
10P	45.72	50.72	20P	96.52	101.52
11P	50.80	55.80			



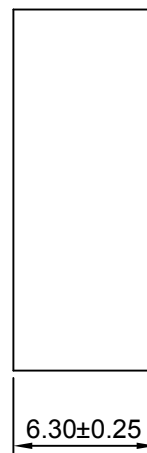
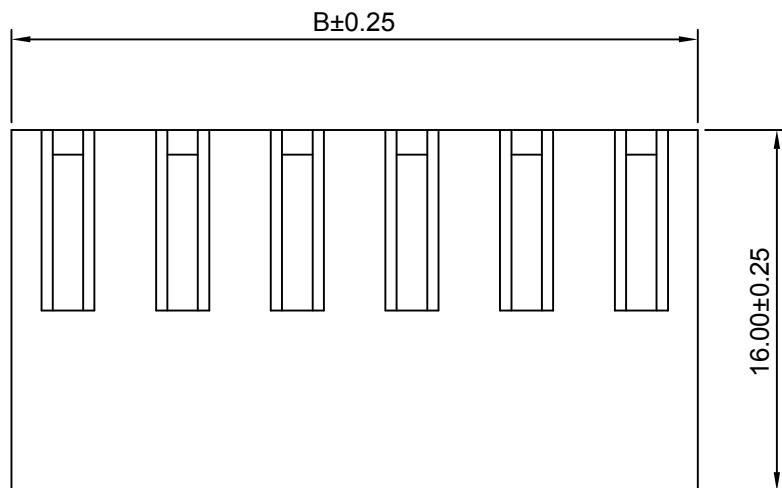
深圳市华德共创科技有限公司

SHENZHEN HUADE CO-CREATE TECHNOLOGY CO.,LTD  
 TEL : 0755-27129737 FAX : 0755-29940187

-TOLERANCES- UNLESS OTHERWISE SPECIFIED 公差参数表						TITLE: 5.08mm Pitch Housing 产品名称:			
X.X	±0.30	X.X°	±3°	APPD: 核准:	XIE	PART NO: 产品编号: HDGC5081H-XP			
X.XX	±0.30	X.XX°	±2°	CHECK: 校对:	WANG	DATE	SCALE	UNIT	CODE NUMBER
X.XXX	±0.10	X.XXX°	±1°	DRAW: 绘图:	WANG	2011-06-12	3:1	mm	A008



Type 1



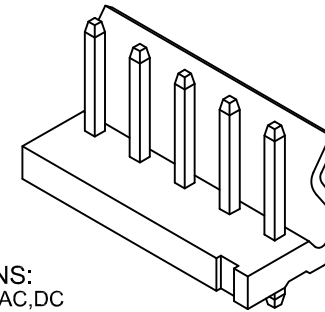
Type 2

修订 REV	标记 MARK	修改摘要 REVISION DESCRIPTION	签名 SIGNATURE	日期 DATE
AO		NEW RELEASE	WANG	2011-06-12

Ordering Information:

HDGC5081WV-XP - \*\*  
1 2

- 1: Part No.  
2: Color:  
(blank): Natural  
BK: Black  
RD: Red  
BL: Blue  
YL: Yellow  
GN: Green

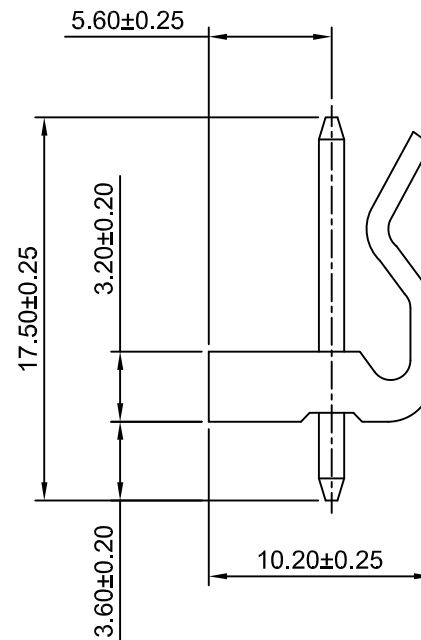
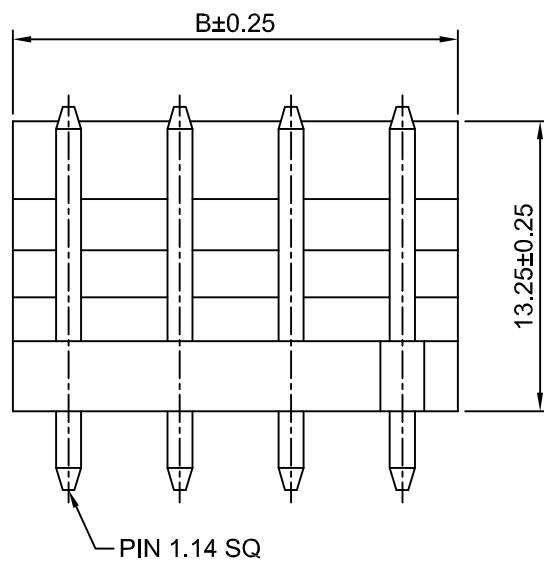
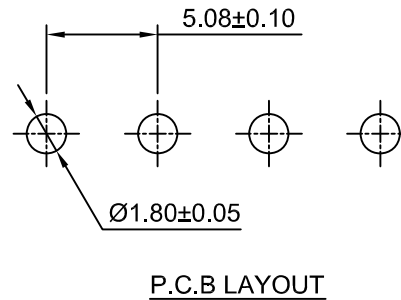
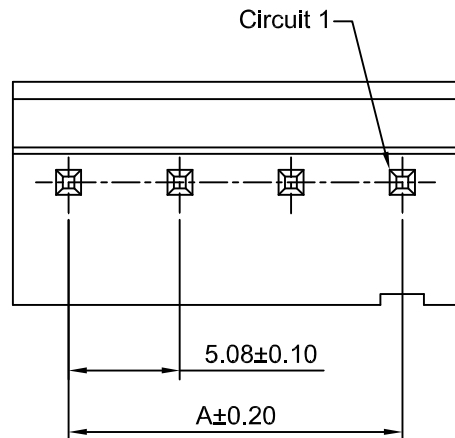


SPECIFICATIONS:

Current Rating: 7A AC,DC  
Voltage Rating: 250V AC,DC  
Temperature Range: -25°C ~ +85°C  
Contact Resistance: 10mΩ Max  
Insulation Resistance: 1000MΩ Min  
Withstanding Voltage: 1500V AC/minute  
Pin Material: Brass/Tin over Nickel  
Material: Nylon 66, UL94V-2 (Natural)

Ordering Information & Dimensions

Circuits	Dimensions(mm)		Circuits	Dimensions(mm)	
	A	B		A	B
2P	5.08	10.16	12P	55.88	60.96
3P	10.16	15.24	13P	60.96	66.04
4P	15.24	20.32	14P	66.04	71.12
5P	20.32	25.40	15P	71.12	76.20
6P	25.40	30.48	16P	76.20	81.28
7P	30.48	35.56	17P	81.28	86.36
8P	35.56	40.64	18P	86.36	91.44
9P	40.64	45.72	19P	91.44	96.52
10P	45.72	50.80	20P	96.52	101.60
11P	50.80	55.88			



深圳市华德共创科技有限公司

SHENZHEN HUADE CO-CREATE TECHNOLOGY CO.,LTD

TEL: 0755-27129737 FAX: 0755-29940187

-TOLERANCES- UNLESS OTHERWISE SPECIFIED 公差参数表				TITLE: 5.08mm Pitch 产品名称: 180° Wafer	
X.X	±0.30	X.X°	±3°	APPD: 核准:	XIE
X.XX	±0.30	X.XX°	±2°	CHECK: 校对:	WANG
X.XXX	±0.10	X.XXX°	±1°	DRAW: 绘图:	WANG
PART NO: 产品编号:		HDGC5081WV-XP			
DATE	SCALE	UNIT	CODE NUMBER		
2011-06-12	3:1	mm	A008		

修订 REV	标记 MARK	修改摘要 REVISION DESCRIPTION	签名 SIGNATURE	日期 DATE
AO		NEW RELEASE	WANG	2011-06-12

Ordering Information:

HDGC5081WR-XP-<sup>\*\*</sup>/<sub>2</sub>

1:Part No.

2:Color:

(blank):Natural

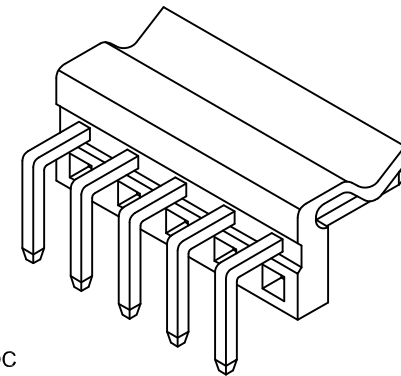
BK:Black

RD :Red

BL:Blue

YL:Yellow

GN:Green



SPECIFICATIONS:

Current Rating: 7A AC,DC

Voltage Rating: 250V AC,DC

Temperature Range: -25°C ~ +85°C

Contact Resistance: 10mΩ Max

Insulation Resistance: 1000MΩ Min

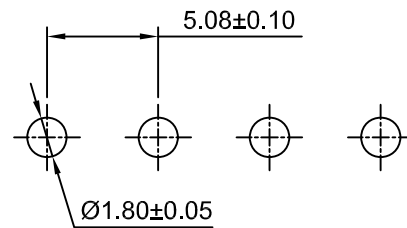
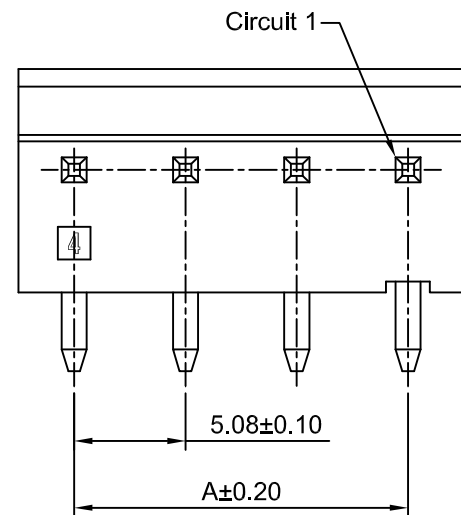
Withstanding Voltage: 1500V AC/minute

Pin Material: Brass/Tin over Nickel

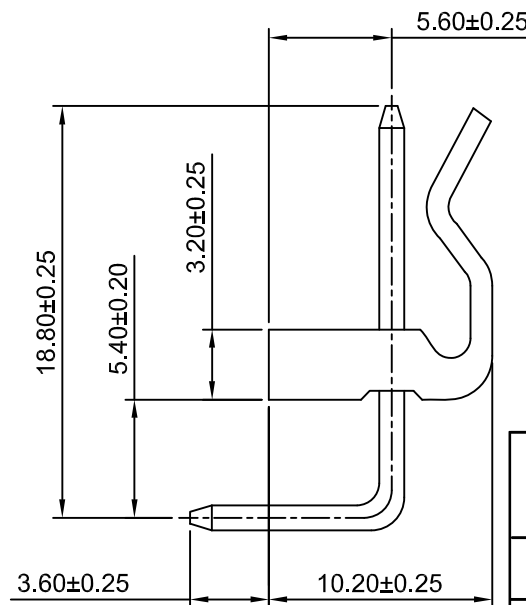
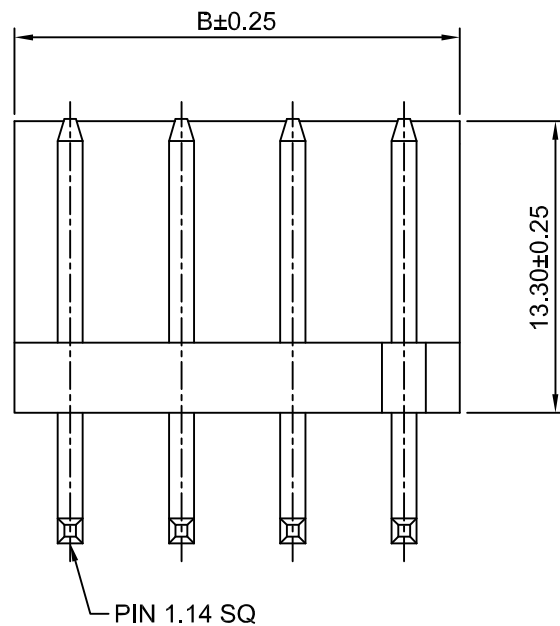
Material: Nylon 66,UL94V-2(Natural)

Ordering Information & Dimensions

Circuits	Dimensions(mm)		Circuits	Dimensions(mm)	
	A	B		A	B
2P	5.08	10.16	12P	55.88	60.96
3P	10.16	15.24	13P	60.96	66.04
4P	15.24	20.32	14P	66.04	71.12
5P	20.32	25.40	15P	71.12	76.20
6P	25.40	30.48	16P	76.20	81.28
7P	30.48	35.56	17P	81.28	86.36
8P	35.56	40.64	18P	86.36	91.44
9P	40.64	45.72	19P	91.44	96.52
10P	45.72	50.80	20P	96.52	101.60
11P	50.80	55.88			



P.C.B LAYOUT



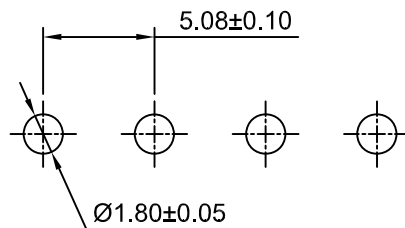
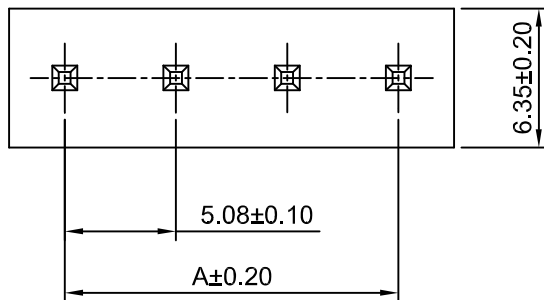
深圳市华德共创科技有限公司

SHENZHEN HUADE CO-CREATE TECHNOLOGY CO.,LTD

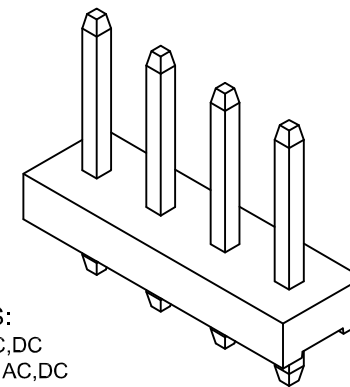
TEL : 0755-27129737 FAX : 0755-29940187

-TOLERANCES- UNLESS OTHERWISE SPECIFIED 公差参数表				 		TITLE: 5.08mm Pitch 产品名称: 90° Wafer			
X.X	±0.30	X.X°	±3°	APPD: 核准:	XIE	PART NO: 产品编号: HDGC5081WR-XP			
X.XX	±0.30	X.XX°	±2°	CHECK: 校对:	WANG	DATE	SCALE	UNIT	CODE NUMBER
X.XXX	±0.10	X.XXX°	±1°	DRAW: 绘图:	WANG	2011-06-12	3:1	mm	A008

修订 REV	标记 MARK	修改摘要 REVISION DESCRIPTION	签名 SIGNATURE	日期 DATE
AO		NEW RELEASE	WANG	2011-06-12



P.C.B LAYOUT

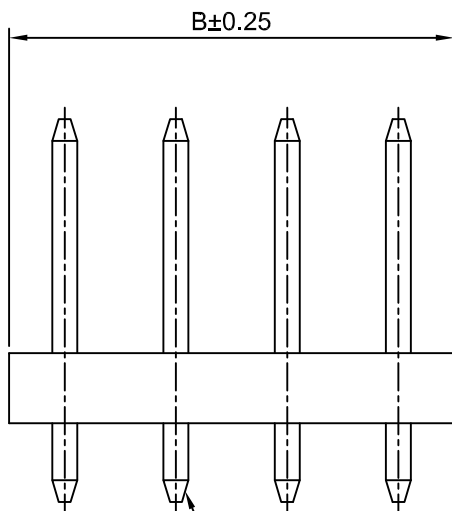


**SPECIFICATIONS:**

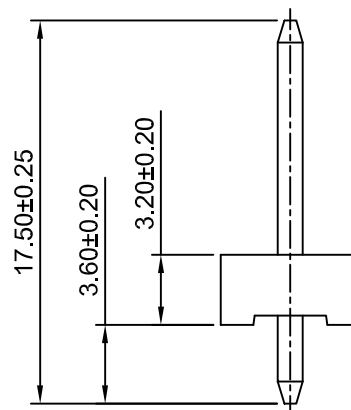
Current Rating: 7A AC,DC  
Voltage Rating: 250V AC,DC  
Temperature Range: -25°C ~ +85°C  
Contact Resistance: 10mΩ Max  
Insulation Resistance: 1000MΩ Min  
Withstanding Voltage: 1500V AC/minute  
Pin Material: Brass/Tin over Nickel  
Material: Nylon 66,UL94V-2(Natural)

**Ordering Information & Dimensions**

Circuits	Dimensions(mm)		Circuits	Dimensions(mm)	
	A	B		A	B
2P	5.08	10.16	12P	55.88	60.96
3P	10.16	15.24	13P	60.96	66.04
4P	15.24	20.32	14P	66.04	71.12
5P	20.32	25.40	15P	71.12	76.20
6P	25.40	30.48	16P	76.20	81.28
7P	30.48	35.56	17P	81.28	86.36
8P	35.56	40.64	18P	86.36	91.44
9P	40.64	45.72	19P	91.44	96.52
10P	45.72	50.80	20P	96.52	101.60
11P	50.80	55.88			



PIN 1.14 SQ



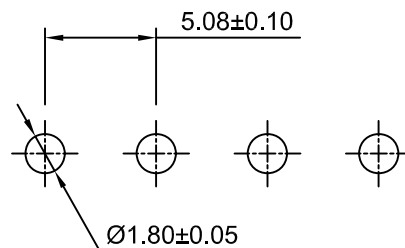
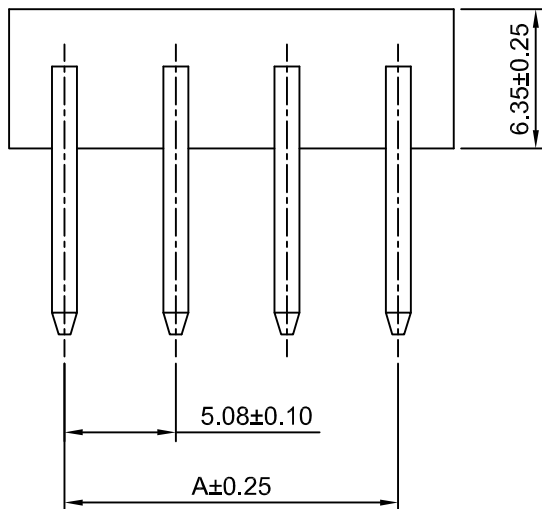
深圳市华德共创科技有限公司

SHENZHEN HUADE CO-CREATE TECHNOLOGY CO.,LTD

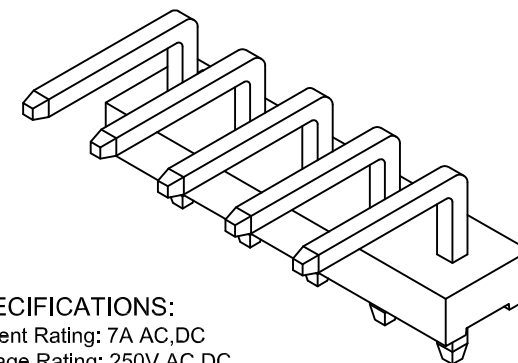
TEL : 0755-27129737 FAX : 0755-29940187

-TOLERANCES- UNLESS OTHERWISE SPECIFIED 公差参数表				 		TITLE: 5.08mm Pitch 产品名称: 180° Wafer			
X.X	±0.30	X.X°	±3°	APPD: 核准:	XIE	PART NO: 产品编号: HDGC5081WVA-XP			
X.XX	±0.30	X.XX°	±2°	CHECK: 校对:	WANG	DATE	SCALE	UNIT	CODE NUMBER
X.XXX	±0.10	X.XXX°	±1°	DRAW: 绘图:	WANG	2011-06-12	3:1	mm	A008

修订 REV	标记 MARK	修改摘要 REVISION DESCRIPTION	签名 SIGNATURE	日期 DATE
AO		NEW RELEASE	WANG	2011-06-12



P.C.B LAYOUT

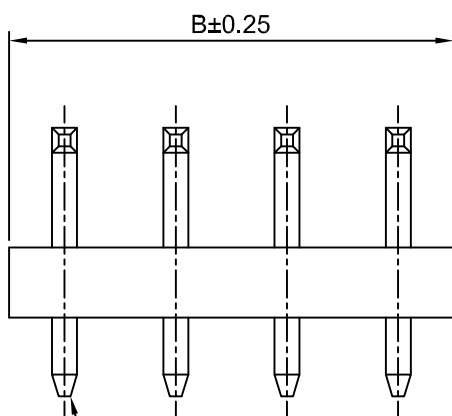


**SPECIFICATIONS:**

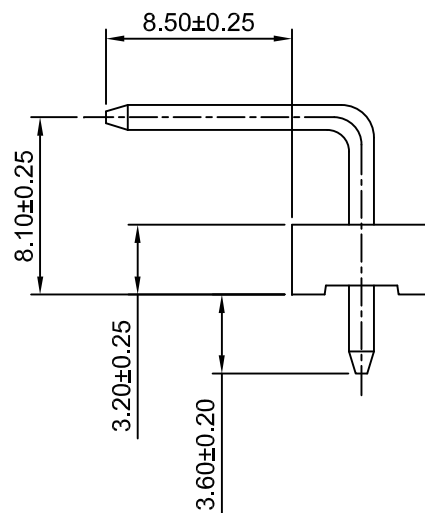
Current Rating: 7A AC,DC  
Voltage Rating: 250V AC,DC  
Temperature Range: -25°C ~ +85°C  
Contact Resistance: 10mΩ Max  
Insulation Resistance: 1000MΩ Min  
Withstanding Voltage: 1500V AC/minute  
Pin Material: Brass/Tin over Nickel  
Material: Nylon 66,UL94V-2(Natural)

**Ordering Information & Dimensions**


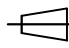
Circuits	Dimensions(mm)		Circuits	Dimensions(mm)	
	A	B		A	B
2P	5.08	10.16	12P	55.88	60.96
3P	10.16	15.24	13P	60.96	66.04
4P	15.24	20.32	14P	66.04	71.12
5P	20.32	25.40	15P	71.12	76.20
6P	25.40	30.48	16P	76.20	81.28
7P	30.48	35.56	17P	81.28	86.36
8P	35.56	40.64	18P	86.36	91.44
9P	40.64	45.72	19P	91.44	96.52
10P	45.72	50.80	20P	96.52	101.60
11P	50.80	55.88			



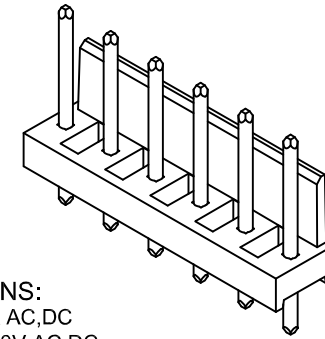
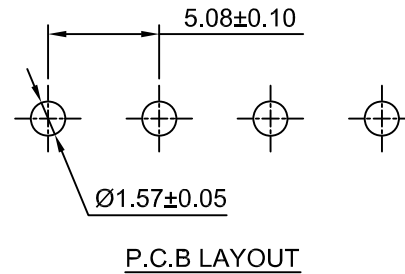
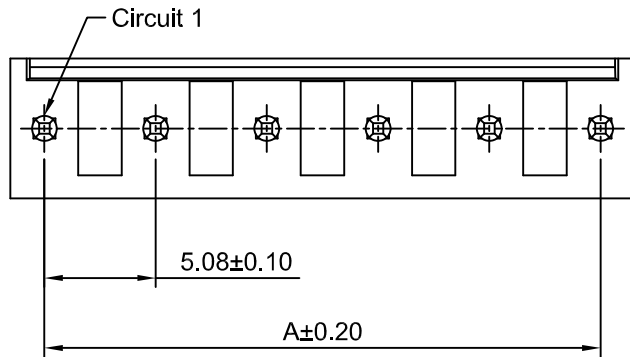
PIN 1.14 SQ



**HDGC** 深圳市华德共创科技有限公司  
SHENZHEN HUADE CO-CREATE TECHNOLOGY CO.,LTD  
TEL : 0755-27129737 FAX : 0755-29940187

-TOLERANCES- UNLESS OTHERWISE SPECIFIED 公差参数表				 		TITLE: 5.08mm Pitch 产品名称: 90° Wafer			
X.X	±0.30	X.X°	±3°	APPD: 核准:	XIE	PART NO: 产品编号: HDGC5081WRA-XP			
X.XX	±0.30	X.XX°	±2°	CHECK: 校对:	WANG	DATE	SCALE	UNIT	CODE NUMBER
X.XXX	±0.10	X.XXX°	±1°	DRAW: 绘图:	WANG	2011-06-12	3:1	mm	A008

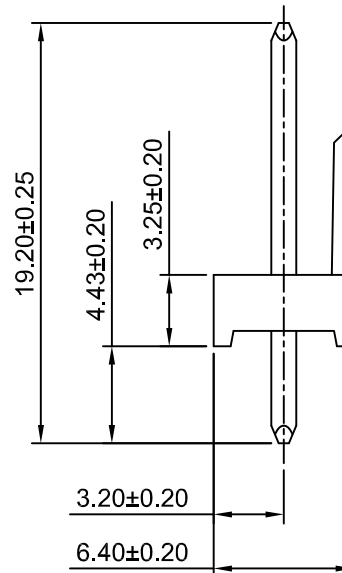
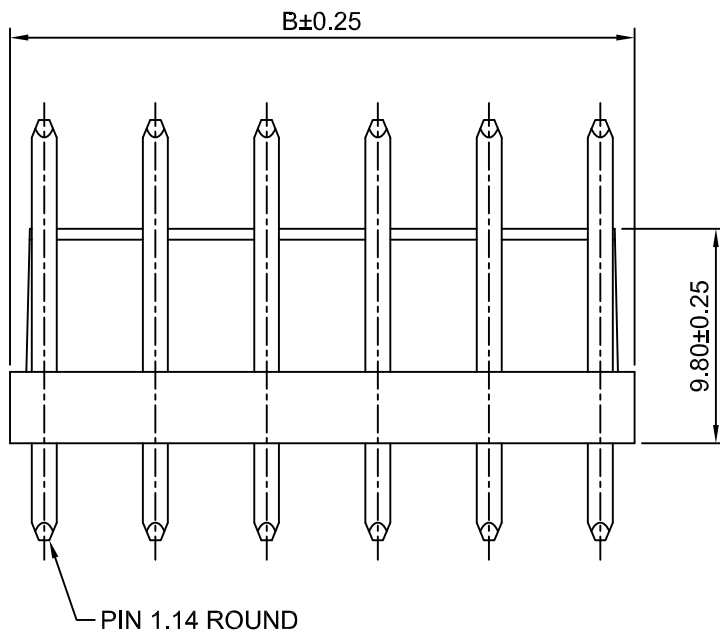
修订 REV	标记 MARK	修改摘要 REVISION DESCRIPTION	签名 SIGNATURE	日期 DATE
AO		NEW RELEASE	WANG	2011-06-12



**SPECIFICATIONS:**  
 Current Rating: 7A AC,DC  
 Voltage Rating: 250V AC,DC  
 Temperature Range: -25°C ~ +85°C  
 Contact Resistance: 10mΩ Max  
 Insulation Resistance: 1000MΩ Min  
 Withstanding Voltage: 1500V AC/minute  
 Pin Material: Brass/Tin over Nickel  
 Material: Nylon 66,UL94V-2(Natural)

**Ordering Information & Dimensions**

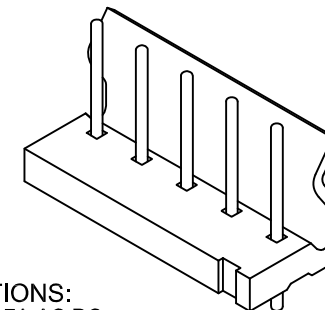
Circuits	Dimensions(mm)		Circuits	Dimensions(mm)	
	A	B		A	B
2P	5.08	8.20	12P	55.88	59.00
3P	10.16	13.28	13P	60.96	64.08
4P	15.24	18.36	14P	66.04	69.16
5P	20.32	23.44	15P	71.12	74.24
6P	25.40	28.52	16P	76.20	79.32
7P	30.48	33.60	17P	81.28	84.40
8P	35.56	38.68	18P	86.36	89.48
9P	40.64	43.76	19P	91.44	94.56
10P	45.72	48.84	20P	96.52	99.64
11P	50.80	53.92			



**深圳市华德共创科技有限公司**  
 SHENZHEN HUADE CO-CREATE TECHNOLOGY CO.,LTD  
 TEL : 0755-27129737 FAX : 0755-29940187

-TOLERANCES- UNLESS OTHERWISE SPECIFIED 公差参数表					TITLE: 5.08mm Pitch 产品名称: 180° Wafer				
X.X	±0.30	X.X°	±3°	APPD: 核准:	XIE	PART NO: 产品编号: HDGC5081WVB-XP			
X.XX	±0.30	X.XX°	±2°	CHECK: 校对:	WANG	DATE	SCALE	UNIT	CODE NUMBER
X.XXX	±0.10	X.XXX°	±1°	DRAW: 绘图:	WANG	2011-06-12	3:1	mm	A008

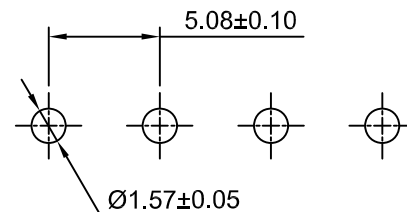
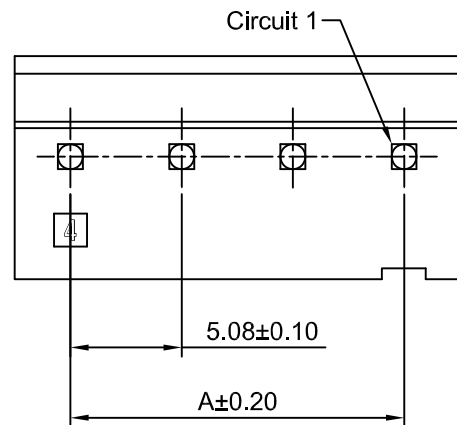
修订 REV	标记 MARK	修改摘要 REVISION DESCRIPTION	签名 SIGNATURE	日期 DATE
AO		NEW RELEASE	WANG	2011-06-12



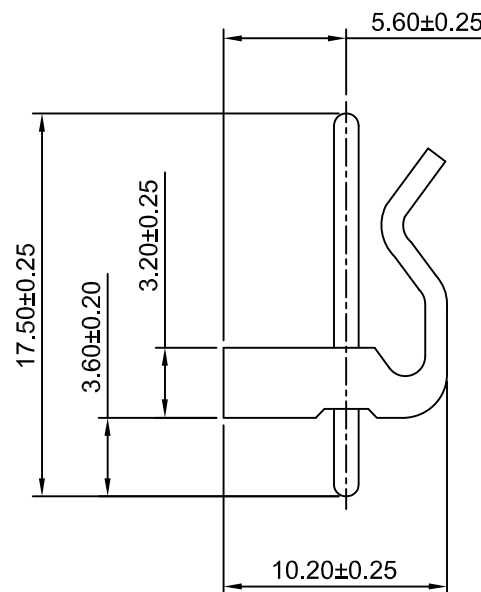
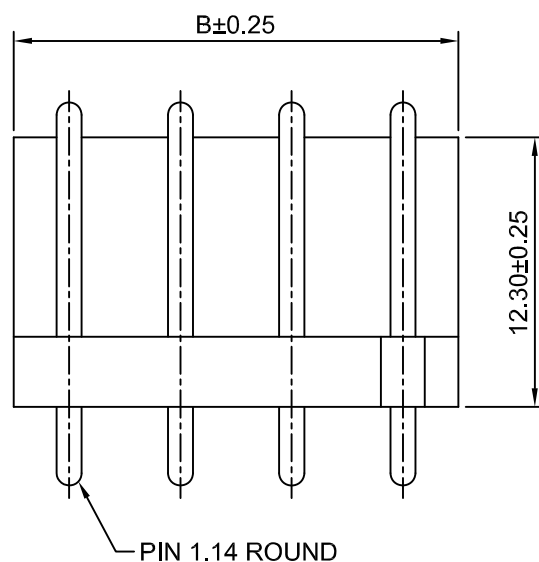
**SPECIFICATIONS:**  
 Current Rating: 7A AC,DC  
 Voltage Rating: 250V AC,DC  
 Temperature Range: -25°C ~ +85°C  
 Contact Resistance: 10mΩ Max  
 Insulation Resistance: 1000MΩ Min  
 Withstanding Voltage: 1500V AC/minute  
 Pin Material: Brass/Tin over Nickel  
 Material: Nylon 66,UL94V-2(Natural)

**Ordering Information & Dimensions**

Circuits	Dimensions(mm)		Circuits	Dimensions(mm)	
	A	B		A	B
2P	5.08	10.16	12P	55.88	60.96
3P	10.16	15.24	13P	60.96	66.04
4P	15.24	20.32	14P	66.04	71.12
5P	20.32	25.40	15P	71.12	76.20
6P	25.40	30.48	16P	76.20	81.28
7P	30.48	35.56	17P	81.28	86.36
8P	35.56	40.64	18P	86.36	91.44
9P	40.64	45.72	19P	91.44	96.52
10P	45.72	50.80	20P	96.52	101.60
11P	50.80	55.88			



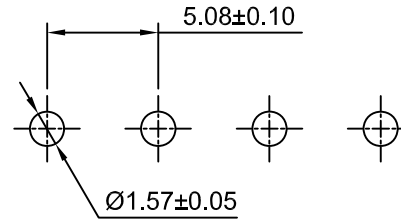
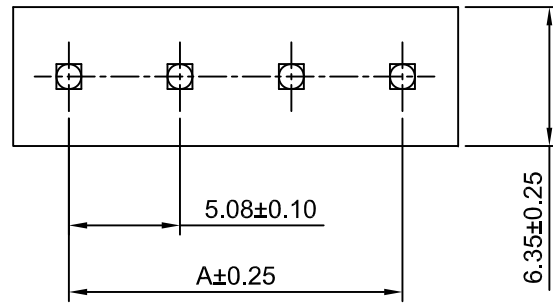
**P.C.B LAYOUT**



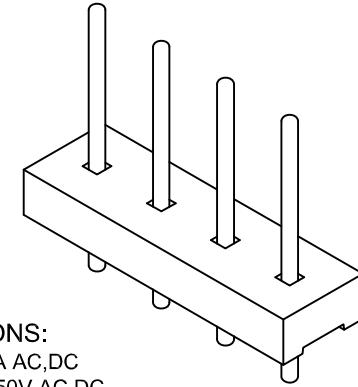
**HDGC** 深圳市华德共创科技有限公司  
 SHENZHEN HUADE CO-CREATE TECHNOLOGY CO.,LTD  
 TEL : 0755-27129737 FAX : 0755-29940187

-TOLERANCES- UNLESS OTHERWISE SPECIFIED 公差参数表				TITLE: 产品名称: 5.08mm Pitch 180° Wafer				
X.X	±0.30	X.X°	±3°	APPD: 核准: XIE	PART NO: 产品编号: HDGC5081WV-XP-R			
X.XX	±0.30	X.XX°	±2°	CHECK: 校对: WANG	DATE	SCALE	UNIT	CODE NUMBER
X.XXX	±0.10	X.XXX°	±1°	DRAW: 绘图: WANG	2011-06-12	3:1	mm	A008

修订 REV	标记 MARK	修改摘要 REVISION DESCRIPTION	签名 SIGNATURE	日期 DATE
AO		NEW RELEASE	WANG	2011-06-12



P.C.B LAYOUT

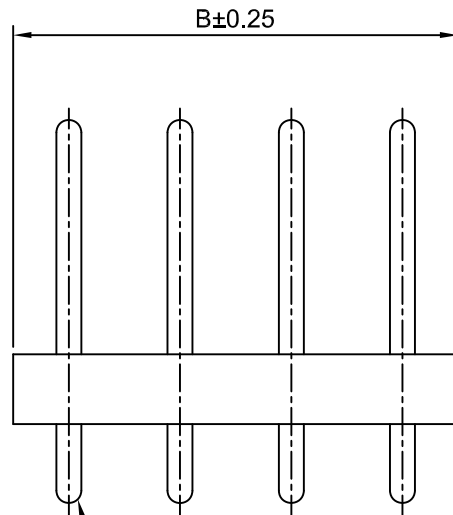


**SPECIFICATIONS:**

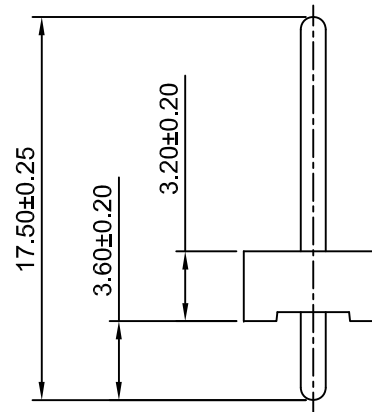
Current Rating: 7A AC,DC  
Voltage Rating: 250V AC,DC  
Temperature Range: -25°C ~ +85°C  
Contact Resistance: 10mΩ Max  
Insulation Resistance: 1000MΩ Min  
Withstanding Voltage: 1500V AC/minute  
Pin Material: Brass/Tin over Nickel  
Material: Nylon 66,UL94V-2(Natural)

**Ordering Information & Dimensions**

Circuits	Dimensions(mm)		Circuits	Dimensions(mm)	
	A	B		A	B
2P	5.08	10.16	12P	55.88	60.96
3P	10.16	15.24	13P	60.96	66.04
4P	15.24	20.32	14P	66.04	71.12
5P	20.32	25.40	15P	71.12	76.20
6P	25.40	30.48	16P	76.20	81.28
7P	30.48	35.56	17P	81.28	86.36
8P	35.56	40.64	18P	86.36	91.44
9P	40.64	45.72	19P	91.44	96.52
10P	45.72	50.80	20P	96.52	101.60
11P	50.80	55.88			



PIN 1.14 ROUND



深圳市华德共创科技有限公司

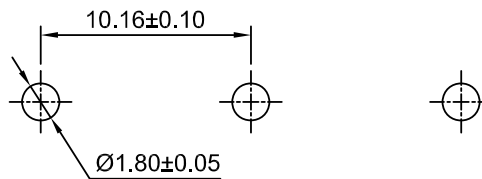
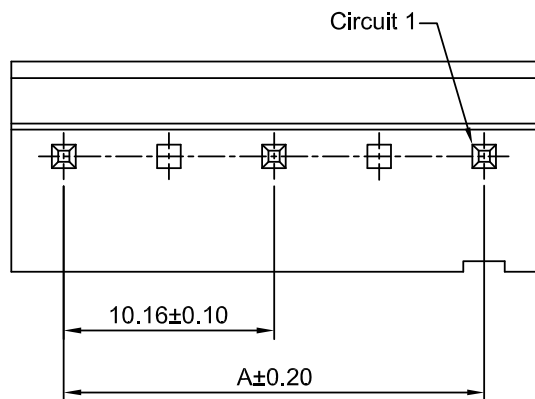
SHENZHEN HUADE CO-CREATE TECHNOLOGY CO.,LTD

TEL : 0755-27129737 FAX : 0755-29940187

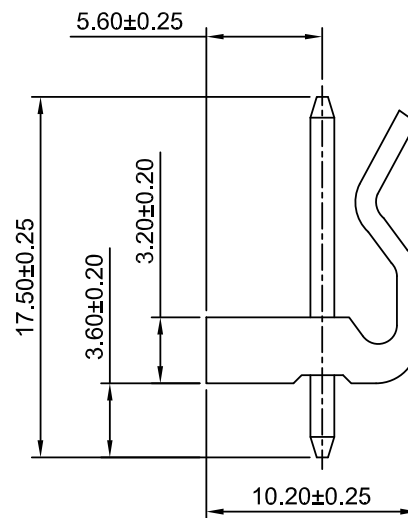
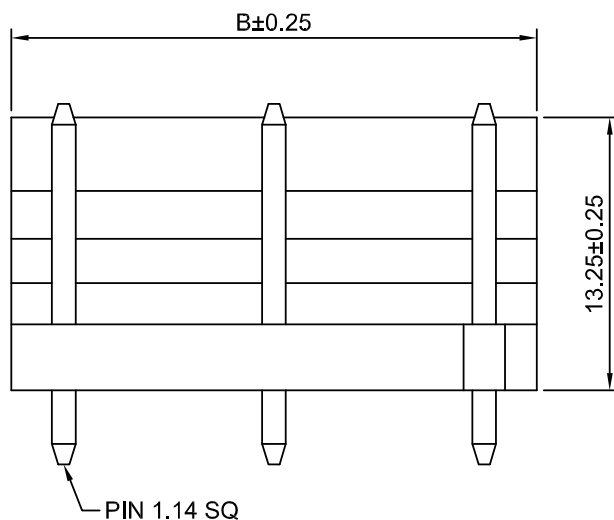
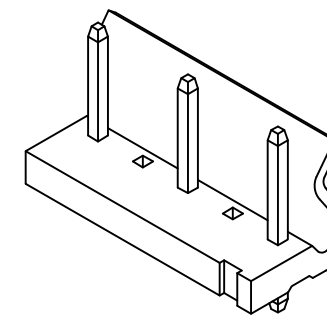
-TOLERANCES- UNLESS OTHERWISE SPECIFIED 公差参数表				 		TITLE: 5.08mm Pitch 产品名称: 180° Wafer			
X.X	±0.30	X.X°	±3°	APPD: 核准:	XIE	PART NO: 产品编号: HDGC5081WVA-XP-R			
X.XX	±0.30	X.XX°	±2°	CHECK: 校对:	WANG	DATE	SCALE	UNIT	CODE NUMBER
X.XXX	±0.10	X.XXX°	±1°	DRAW: 绘图:	WANG	2011-06-12	3:1	mm	A008



修订 REV	标记 MARK	修改摘要 REVISION DESCRIPTION	签名 SIGNATURE	日期 DATE
AO		NEW RELEASE	WANG	2013-06-20



P.C.B LAYOUT



**SPECIFICATIONS:**

Current Rating: 7A AC,DC  
Voltage Rating: 250V AC,DC  
Temperature Range: -25°C ~ +85°C  
Contact Resistance: 10mΩ Max  
Insulation Resistance: 1000MΩ Min  
Withstanding Voltage: 1500V AC/minute  
Pin Material: Brass/Tin over Nickel  
Material: Nylon 66,UL94V-2 (Natural)

**Ordering Information & Dimensions**

Circuits	Dimensions(mm)		Circuits	Dimensions(mm)	
	A	B		A	B
3P	10.16	15.24	13P	60.96	66.04
5P	20.32	25.40	15P	71.12	76.20
7P	30.48	35.56	17P	81.28	86.36
9P	40.64	45.72	19P	91.44	96.52
11P	50.80	55.88			



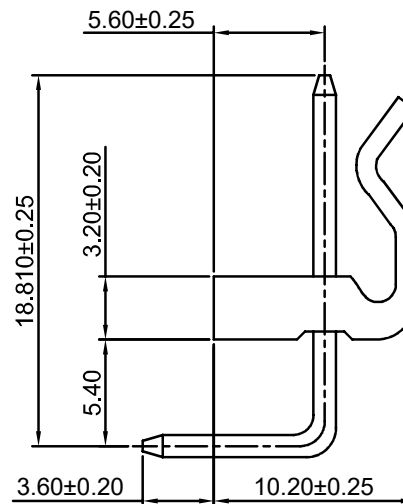
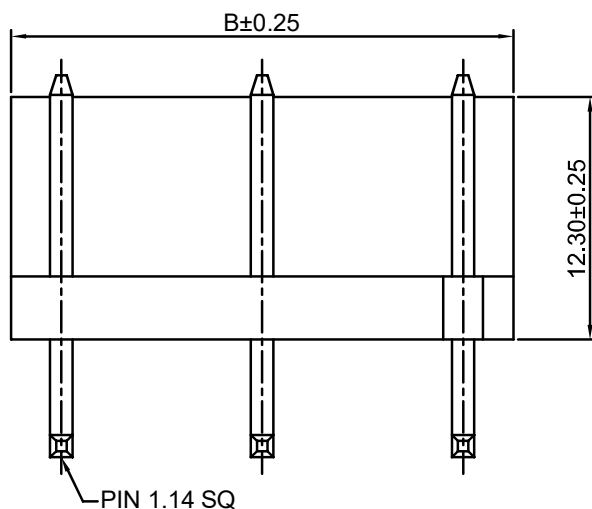
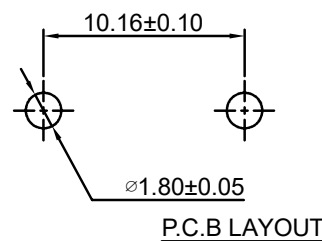
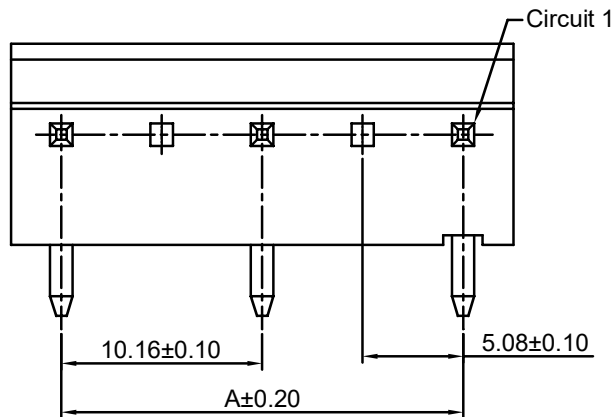
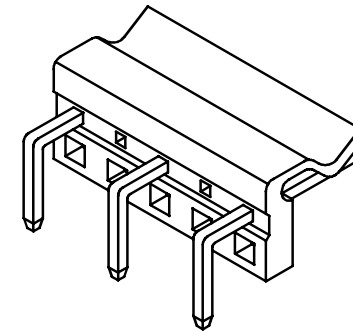
深圳市华德共创科技有限公司

SHENZHEN HUADE CO-CREATE TECHNOLOGY CO.,LTD

TEL : 0755-27129737 FAX : 0755-29940187

-TOLERANCES- UNLESS OTHERWISE SPECIFIED 公差参数表				TITLE: 产品名称: 5.08mm Pitch 180° Wafer	
X.X	±0.30	X.X°	±3°	APPD: 核准:	XIE
X.XX	±0.30	X.XX°	±2°	CHECK: 校对:	WANG
X.XXX	±0.10	X.XXX°	±1°	DRAW: 绘图:	WANG
PART NO: 产品编号:		HDGC5081WV-XP-A			
DATE	SCALE	UNIT	CODE NUMBER		
2013-06-20	3:1	mm	A008		

修订 REV	标记 MARK	修改摘要 REVISION DESCRIPTION	签名 SIGNATURE	日期 DATE
AO		NEW RELEASE	WANG	2013-06-20



**SPECIFICATIONS:**  
 Current Rating: 7A AC,DC  
 Voltage Rating: 250V AC,DC  
 Temperature Range: -25°C ~ +85°C  
 Contact Resistance: 10mΩ Max  
 Insulation Resistance: 1000MΩ Min  
 Withstanding Voltage: 1500V AC/minute  
 Pin Material: Brass/Tin over Nickel  
 Material: Nylon 66,UL94V-2 (Natural)

**Ordering Information & Dimensions**

Circuits	Dimensions(mm)		Circuits	Dimensions(mm)	
	A	B		A	B
3P	10.16	15.24	13P	60.96	66.04
5P	20.32	25.40	15P	71.12	76.20
7P	30.48	35.56	17P	81.28	86.36
9P	40.64	45.72	19P	91.44	96.52
11P	50.80	55.88			



**深圳市华德共创科技有限公司**

SHENZHEN HUADE CO-CREATE TECHNOLOGY CO.,LTD

TEL : 0755-27129737 FAX : 0755-29940187

-TOLERANCES- UNLESS OTHERWISE SPECIFIED 公差参数表				TITLE: 5.08mm Pitch 产品名称: 90° Wafer	
X.X	±0.30	X.X°	±3°	APPD: 核准:	XIE
X.XX	±0.30	X.XX°	±2°	CHECK: 校对:	WANG
X.XXX	±0.10	X.XXX°	±1°	DRAW: 绘图:	WANG
PART NO: 产品编号:		HDGC5081WR-XP-A			
DATE	SCALE	UNIT	CODE NUMBER		
2013-06-20	3:1	mm	A008		