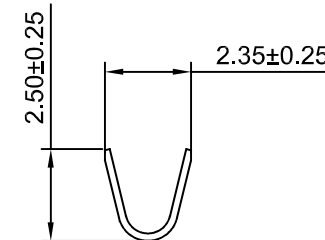
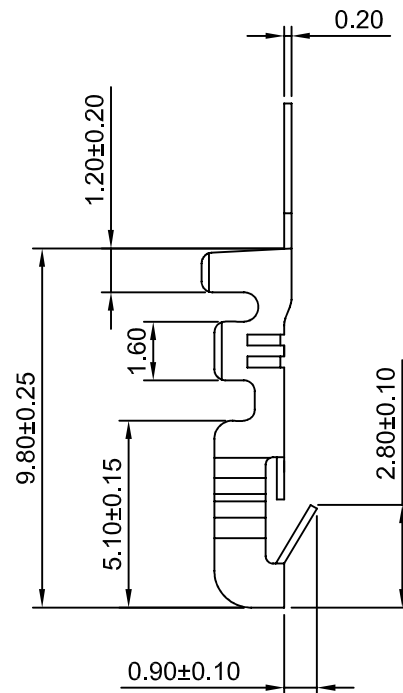
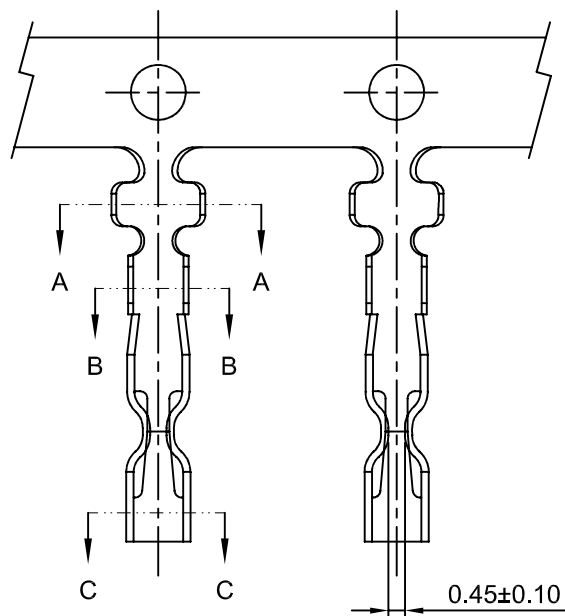
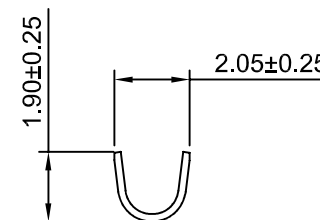


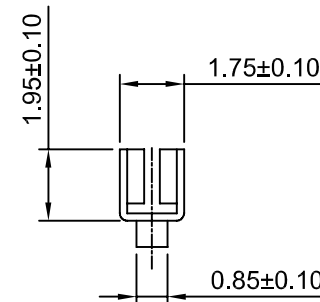
修订 REV	标记 MARK	修改摘要 REVISION DESCRIPTION	签名 SIGNATURE	日期 DATE
AO		NEW RELEASE	WANG	2012-03-16



SEC:A-A



SEC:B-B



SEC:C-C

Ordering information & Specifications:

Unit:mm

Part NO.	Wire Range	Insulation O.D.	Material	Finish	Qty/reel
HDGC2518-TB	AWG#20-#26	1.90mm(max)	Brass	Tin over Nickel	10,000 PCS
HDGC2518-TP	AWG#20-#26	1.90mm(max)	Phosphor Bronze	Tin over Nickel	10,000 PCS
HDGC2518-GB	AWG#20-#26	1.90mm(max)	Brass	Gold over Nickel	10,000 PCS
HDGC2518-GP	AWG#20-#26	1.90mm(max)	Phosphor Bronze	Gold over Nickel	10,000 PCS

Optional Gold plating available but MOQ requested

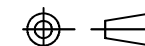


深圳市华德共创科技有限公司

Shenzhen Huade co-create Technology Co.,LTD

TEL : 0755-27129737 FAX : 0755-29940187

-TOLERANCES-
UNLESS OTHERWISE SPECIFIED
公差参数表



TITLE: 2.50mm Pitch
产品名称: Crimp Terminal

X.X ±0.30 X.X° ±3°

APPD:
核准: XIE

PART NO:
产品编号: HDGC2518-T

X.XX ±0.30 X.XX° ±2°

CHECK:
校对: WANG

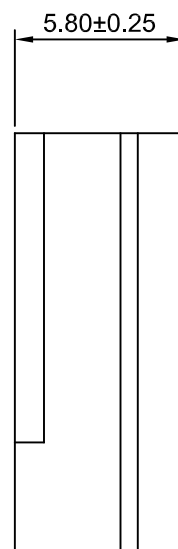
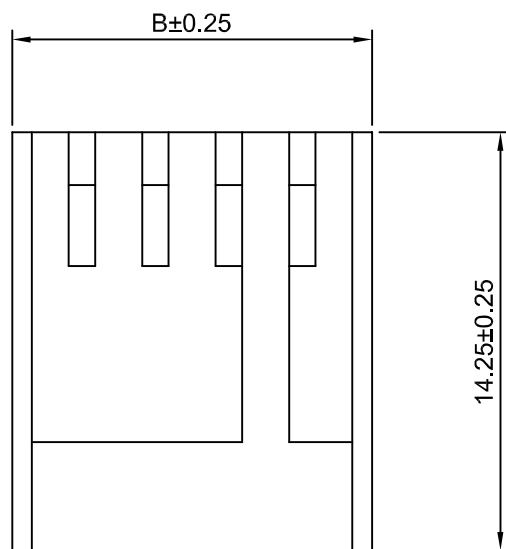
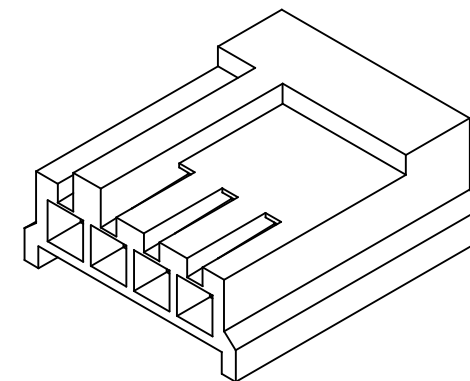
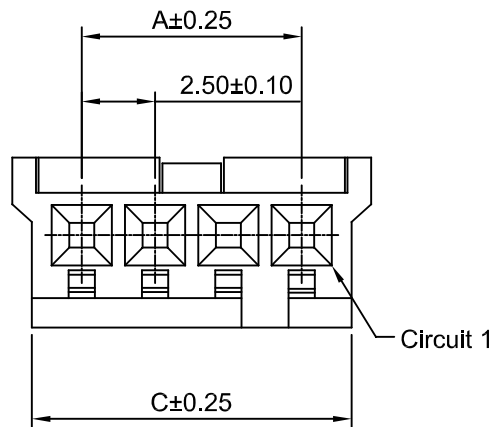
DATE SCALE UNIT CODE NUMBER

X.XXX ±0.10 X.XXX° ±1°

DRAW:
绘图: WANG

2012-03-16 5:1 mm A008

修订 REV	标记 MARK	修改摘要 REVISION DESCRIPTION	签名 SIGNATURE	日期 DATE
AO		NEW RELEASE	WANG	2012-03-16



SPECIFICATIONS:

Current Rating: 3A AC,DC
Voltage Rating: 250V AC,DC
Temperature Range: -25°C ~ +85°C
Contact Resistance: 10mΩ Max
Insulation Resistance: 500MΩ Min
Withstanding Voltage: 800V AC/minute
Material: Nylon 66,UL94V-0(White)

Ordering Information & Dimensions

Circuits	Dimensions(mm)			Circuits	Dimensions(mm)		
	A	B	C		A	B	C
2P	2.50	7.25	5.90	8P	17.50	22.25	20.90
3P	5.00	9.75	8.40	9P	20.00	24.75	23.40
4P	7.50	12.25	10.90	10P	22.50	27.25	25.90
5P	10.00	14.75	13.40	11P	25.00	29.75	28.40
6P	12.50	17.25	15.90	12P	27.50	32.25	30.90
7P	15.00	19.75	18.40				



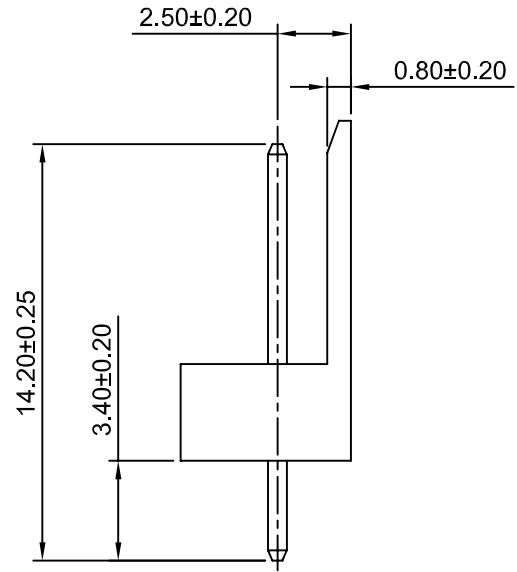
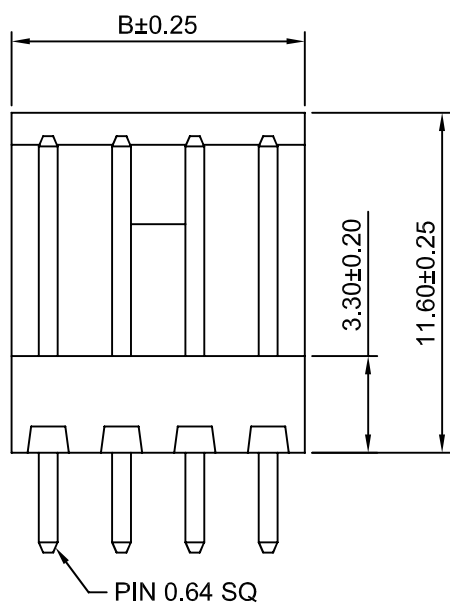
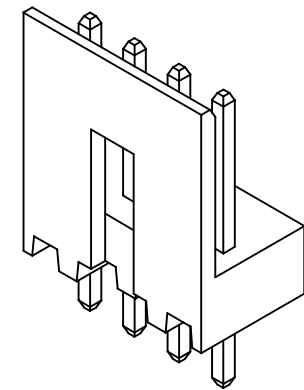
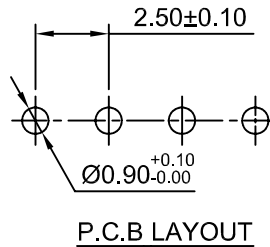
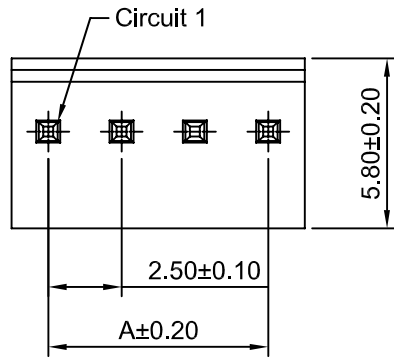
深圳市华德共创科技有限公司

Shenzhen Huade co-create Technology Co.,LTD

TEL : 0755-27129737 FAX : 0755-29940187

-TOLERANCES- UNLESS OTHERWISE SPECIFIED 公差参数表						TITLE: 产品名称 : 2.50mm Pitch Housing			
X.X	±0.30	X.X°	±3°	APPD: 核准:	XIE	PART NO: 产品编号 : HDGC2518H-XP			
X.XX	±0.30	X.XX°	±2°	CHECK: 校对:	WANG	DATE	SCALE	UNIT	CODE NUMBER
X.XXX	±0.10	X.XXX°	±1°	DRAW: 绘图:	WANG	2012-03-16	4:1	mm	A008

修订 REV	标记 MARK	修改摘要 REVISION DESCRIPTION	签名 SIGNATURE	日期 DATE
AO		NEW RELEASE	WANG	2012-03-16



SPECIFICATIONS:

Current Rating: 3A AC,DC
Voltage Rating: 250V AC,DC
Temperature Range: -25°C ~ +85°C
Contact Resistance: 10mΩ Max
Insulation Resistance: 500MΩ Min
Withstanding Voltage: 800V AC/minute
Pin Material: Brass/Tin-plated
Material: Nylon 66, UL94V-0(White)

Ordering Information & Dimensions

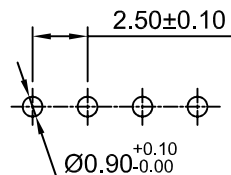
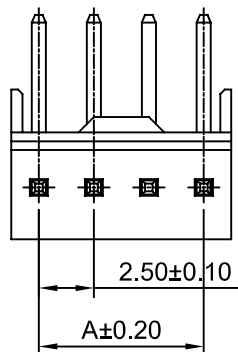
Circuits	Dimensions(mm)		Circuits	Dimensions(mm)	
	A	B		A	B
2P	2.50	5.00	8P	17.50	20.00
3P	5.00	7.50	9P	20.00	22.50
4P	7.50	10.00	10P	22.50	25.00
5P	10.00	12.50	11P	25.00	27.50
6P	12.50	15.00	12P	27.50	30.00
7P	15.00	17.50			



深圳市华德共创科技有限公司
Shenzhen Huade co-create Technology Co.,LTD
TEL : 0755-27129737 FAX : 0755-29940187

-TOLERANCES- UNLESS OTHERWISE SPECIFIED 公差参数表		 	TITLE: 2.50mm Pitch 产品名称: 180° Wafer						
X.X	±0.30	X.X°	±3°	APPD: 核准:	XIE	PART NO: 产品编号: HDGC2518WV-XP			
X.XX	±0.30	X.XX°	±2°	CHECK: 校对:	WANG	DATE	SCALE	UNIT	CODE NUMBER
X.XXX	±0.10	X.XXX°	±1°	DRAW: 绘图:	WANG	2012-03-16	4:1	mm	A008

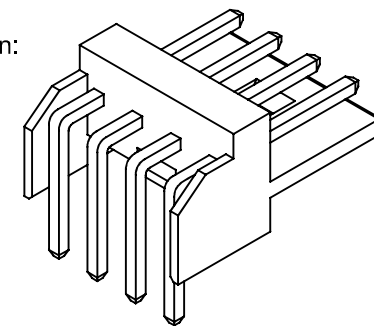
修订 REV	标记 MARK	修改摘要 REVISION DESCRIPTION	签名 SIGNATURE	日期 DATE
AO		NEW RELEASE	WANG	2012-03-16



P.C.B LAYOUT

Ordering Information:
HDGC2518WR-XP - **

1 Part No.
2 Style:
 (blank) - Type 1
 2 - Type 2

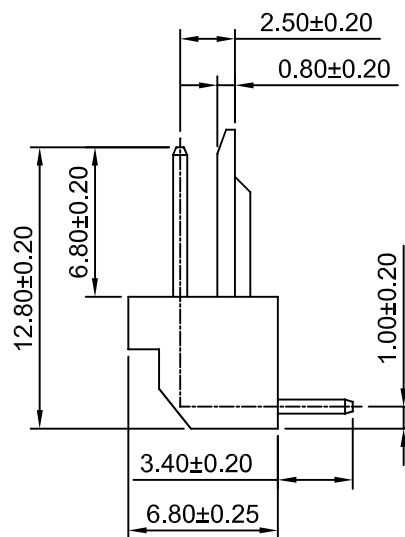
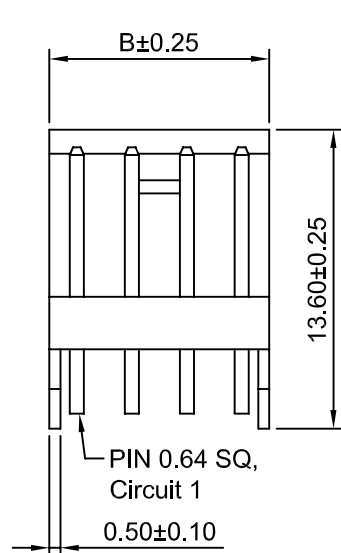


SPECIFICATIONS:

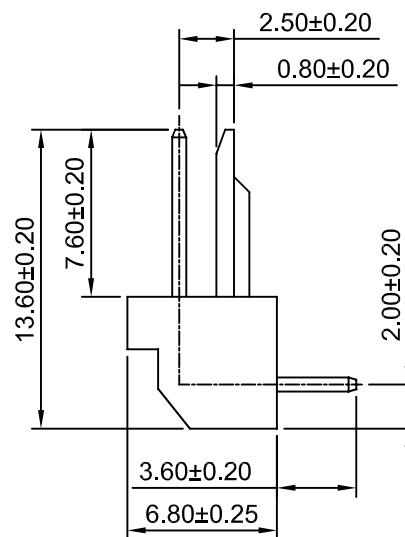
Current Rating: 3A AC,DC
Voltage Rating: 250V AC,DC
Temperature Range: -25°C ~ +85°C
Contact Resistance: 10mΩ Max
Insulation Resistance: 500MΩ Min
Withstanding Voltage: 800V AC/minute
Pin Material: Brass/Tin over Nickel
Material: Nylon 66,UL94V-0(White)

Ordering Information & Dimensions

Circuits	Dimensions(mm)		Circuits	Dimensions(mm)	
	A	B		A	B
2P	2.50	5.00	8P	17.50	20.00
3P	5.00	7.50	9P	20.00	22.50
4P	7.50	10.00	10P	22.50	25.00
5P	10.00	12.50	11P	25.00	27.50
6P	12.50	15.00	12P	27.50	30.00
7P	15.00	17.50			



TYPE 1



TYPE 2



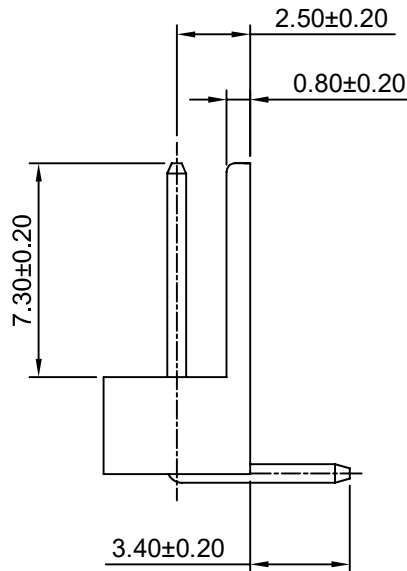
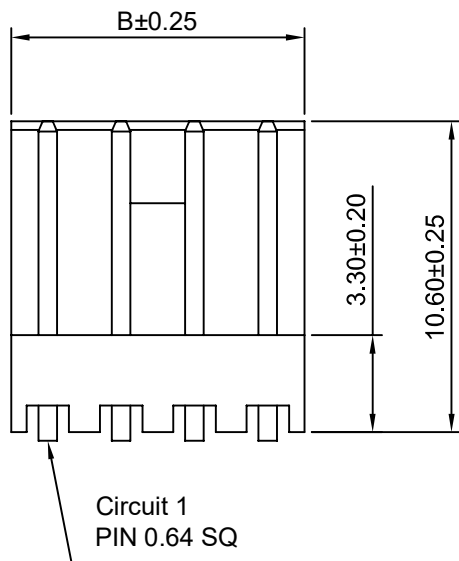
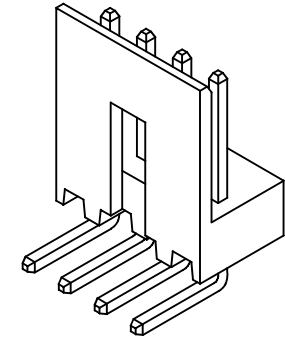
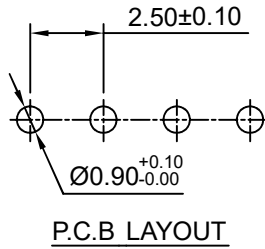
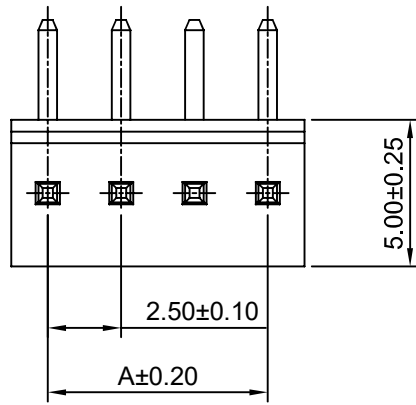
深圳市华德共创科技有限公司

Shenzhen Huade co-create Technology Co.,LTD

TEL : 0755-27129737 FAX : 0755-29940187

-TOLERANCES- UNLESS OTHERWISE SPECIFIED 公差参数表						TITLE: 2.50mm Pitch 产品名称: 90° Wafer			
X.X	±0.30	X.X°	±3°	APPD: 核准:	XIE	PART NO: 产品编号: HDGC2518WR-XP			
X.XX	±0.30	X.XX°	±2°	CHECK: 校对:	WANG	DATE	SCALE	UNIT	CODE NUMBER
X.XXX	±0.10	X.XXX°	±1°	DRAW: 绘图:	WANG	2012-03-16	3:1	mm	A008

修订 REV	标记 MARK	修改摘要 REVISION DESCRIPTION	签名 SIGNATURE	日期 DATE
AO		NEW RELEASE	WANG	2012-03-16



SPECIFICATIONS:

Current Rating: 3A AC,DC
Voltage Rating: 250V AC,DC
Temperature Range: -25°C ~ +85°C
Contact Resistance: 10mΩ Max
Insulation Resistance: 500MΩ Min
Withstanding Voltage: 800V AC/minute
Pin Material: Brass/Tin over Nickel
Material: Nylon 66, UL94V-0(White)

Ordering Information & Dimensions

Circuits	Dimensions(mm)		Circuits	Dimensions(mm)	
	A	B		A	B
2P	2.50	5.00	8P	17.50	20.00
3P	5.00	7.50	9P	20.00	22.50
4P	7.50	10.00	10P	22.50	25.00
5P	10.00	12.50	11P	25.00	27.50
6P	12.50	15.00	12P	27.50	30.00
7P	15.00	17.50			



深圳市华德共创科技有限公司

Shenzhen Huade co-create Technology Co.,LTD
TEL : 0755-27129737 FAX : 0755-29940187

-TOLERANCES- UNLESS OTHERWISE SPECIFIED 公差参数表						TITLE: 2.50mm Pitch 产品名称: 90° Wafer			
X.X	±0.30	X.X°	±3°	APPD: 核准:	XIE	PART NO: 产品编号: HDGC2518WVR-XP			
X.XX	±0.30	X.XX°	±2°	CHECK: 校对:	WANG	DATE	SCALE	UNIT	CODE NUMBER
X.XXX	±0.10	X.XXX°	±1°	DRAW: 绘图:	WANG	2012-03-16	4:1	mm	A008